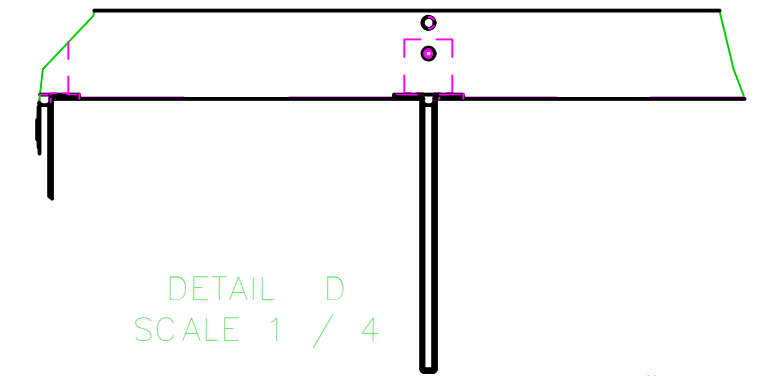
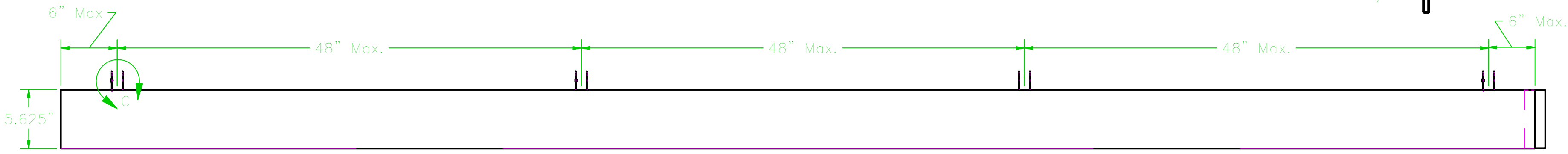


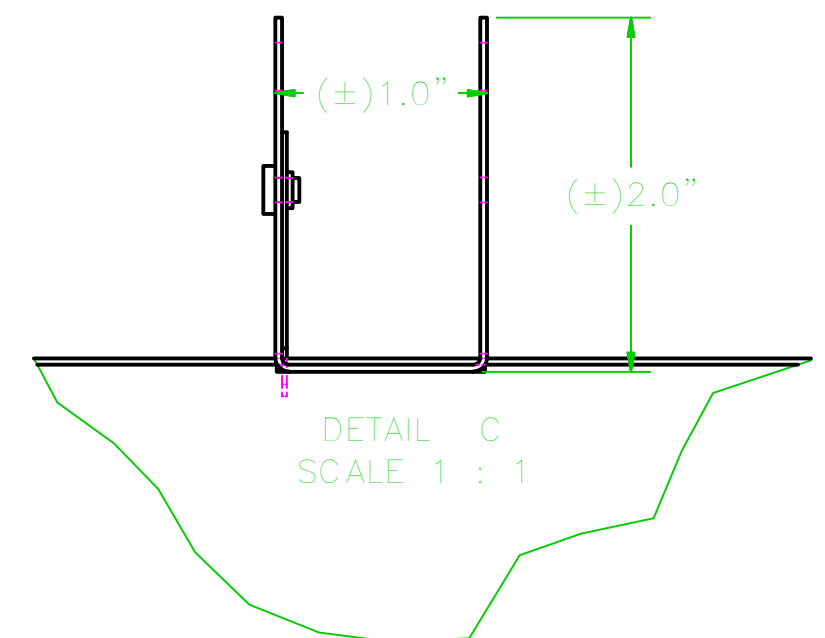
Front View
SCALE 1/8



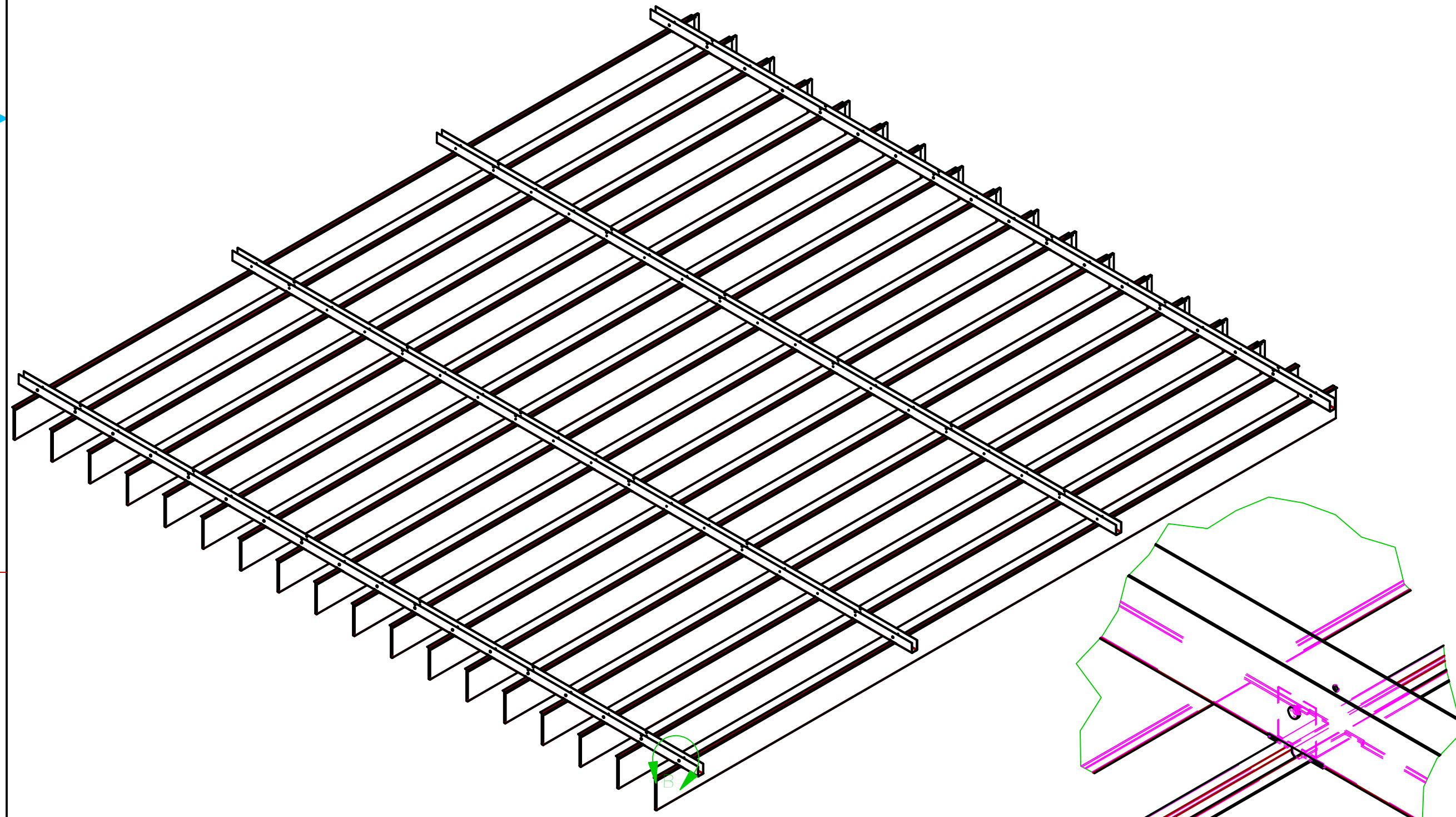
DETAIL D
SCALE 1 / 4



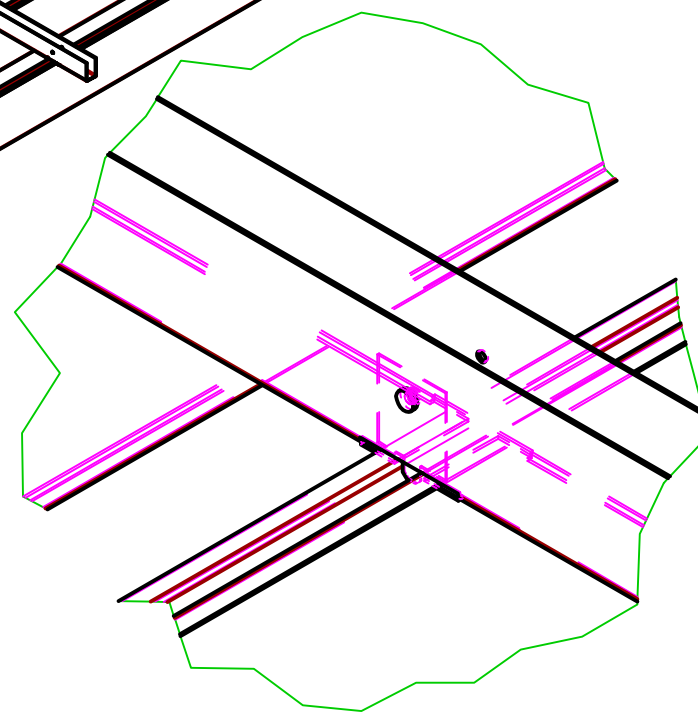
Side View
SCALE 1/8



DETAIL C
SCALE 1 : 1



Top-Iso View
SCALE 1/16



DETAIL B
SCALE 1 / 2

FILE NAME	LinOmgBaf.iam
CONTRACT NO	-N/A
DRAWN	11/15/17 Ceiling Joe
CHECK	11/17/17 Clg-Joe
APPR.	N/A N/A
ISSUED	11/17/17 Clg-Joe

Cut Sht.
Linear Omega Baffle
.25"x6"x8"o.c. Omega Baf. CutSht.

SIZE	FSCM NO	DWG NO	REV
-	-	-SKT-051	01
SCALE	NTS	WEIGHT	SHEET ADC-1