

# DEEP CELL 500

## Photo



## Technical

### PANEL SIZES:

Standard is 2'x2'  
Optional are 2'x4' to 4'x4'

### FINISHES:

Standard are polyester roll coated. (#FSTD)  
Custom painted are polyurethane epoxy (#F47)  
Mirrored are polished brite (#F28- Mirror Silver)  
(#F27- Mirroe Gold)

### PLENUM:

12" recommended minimum

### FIRE CODE:

Non-combustible. Fire rated grid available.

### MATERIAL:

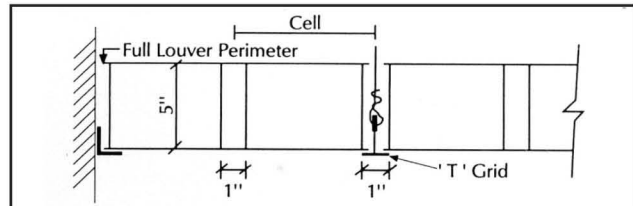
Louver: 0.024" thick aluminum.  
'T'-Grid: 0.024" thick galvanized steel.  
(Contact factory for full Architectural specifications)

## DC5 Data

MODEL NUMBER	CELL	WT./SQ. FT.	PANEL
DC560-2424-F41	6"	2.1 lbs.	2'X2'
DC580-2424-F41	8"	1.5 lbs.	2'x2'
DC512-2448-F41	12"	0.9lbs.	2'x4'
DC524-2424-F41	24"	0.6 lbs.	2'x2'

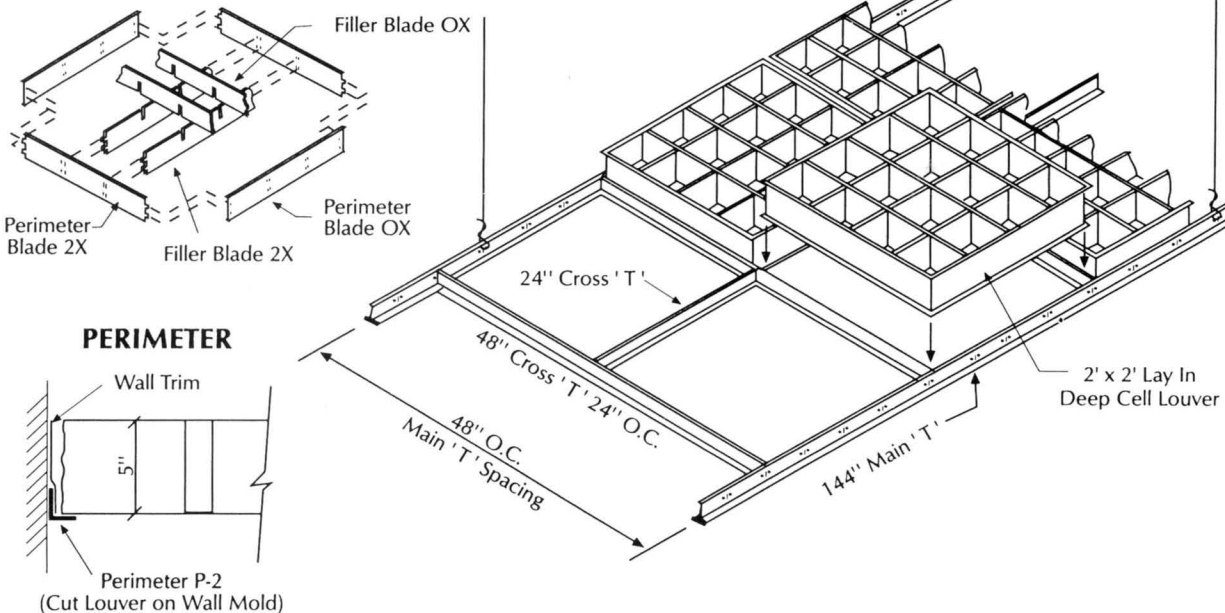
Other sizes available

## Section



## Installation

### DC5 DEEP CELL • ASSEMBLY



Mail: Post Office Box 605605 - Cleveland, Ohio 44105  
 Packages: 4510 East 71st St. - Cleveland, Ohio 44105  
 Telephone: (216) 341-2222 • Fax: (216) 341-8501  
 email: info@amer-dec.com



**AMERICAN DECORATIVE CEILINGS**  
 (All Rights Reserved)