

GRID CELL 600

Photo



Technical

PANEL SIZES:
Standard is 2'x2'
Optional are 2'x4' to 4'x4'

FINISHES:
Standard are polyester roll coated (#FSTD)
Custom painted are polyurethane epoxy (#F47)
Mirrored are polished brite. (#F28- Mirrored Silver)
(#F27-Mirrored Gold)

PLENUM:
8" recommended

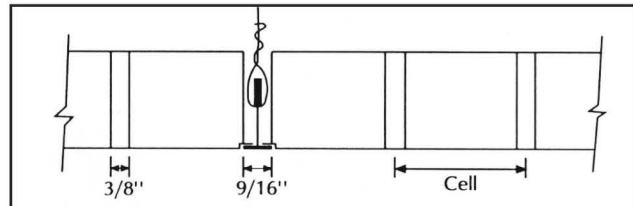
FIRE CODE:
Non-combustible. Fire rated grid available.

MATERIAL:
Louver: 0.020" thick aluminum, face is 3/8"
T-Grid: 0.024" thick galvanized steel, face is 9/16"
(Contact factory for full Architectural specifications)

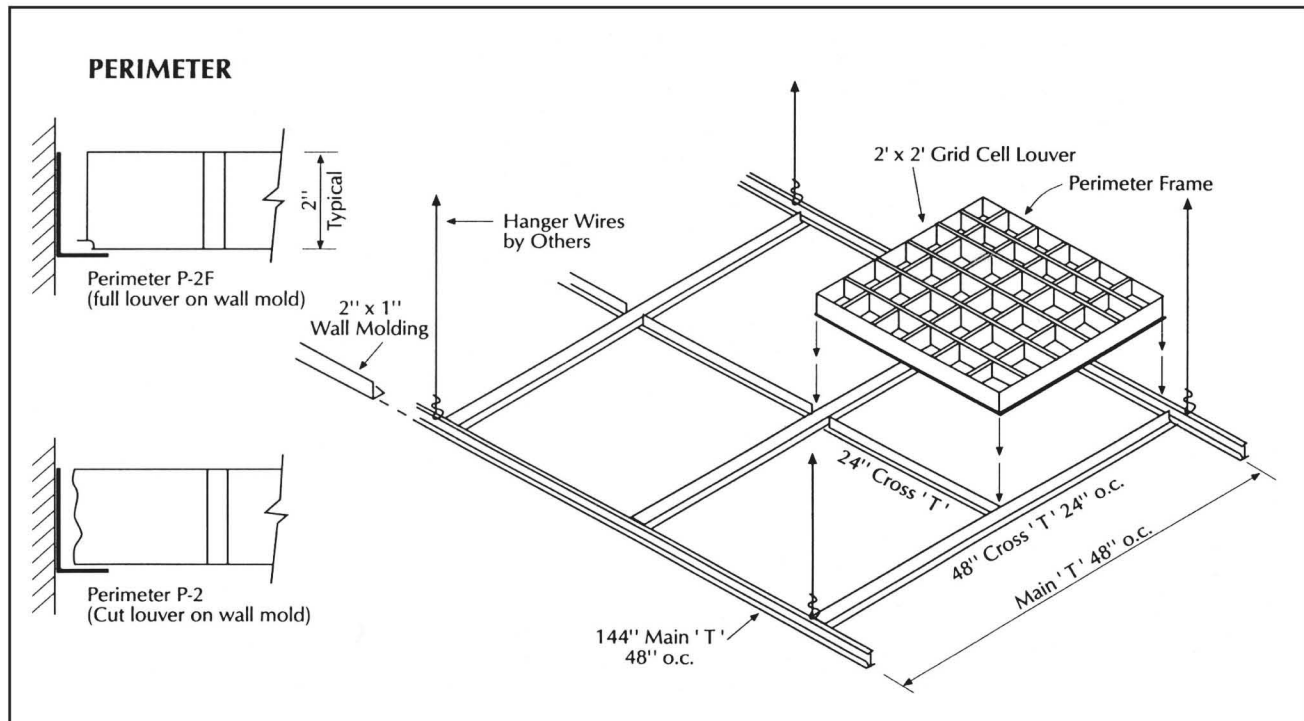
GC6 Data

MODEL NUMBER	CELL	WT./SQ. FT.	PANEL
GC630-2424-F41	3"	1.1 lbs.	2'x2'
GC640-2424-F41	4"	0.9 lbs.	2'x2'
GC660-2424-F41	6"	0.7 lbs.	2'x2'
GC680-2424-F41	8"	0.6 lbs.	2'x2'
GC6120-2424-F41	12"	0.5 lbs.	2'x2'
Other sizes available			

Section



Installation



Mail: Post Office Box 605605 - Cleveland, Ohio 44105
 Packages: 4510 East 71st St. - Cleveland, Ohio 44105
 Telephone: (216) 341-2222 • Fax: (216) 341-8501
 email: info@amer-dec.com



AMERICAN DECORATIVE CEILINGS
 (All Rights Reserved)