

Linear 'B'- PLANK

Linear Plank - Photo



Linear Plank Data

PLANK SIZES: Standard widths are: 4"; 6"; or 8" x 5/8" dp; & 12"x 1" dp. Std. length is 12'. Others available.

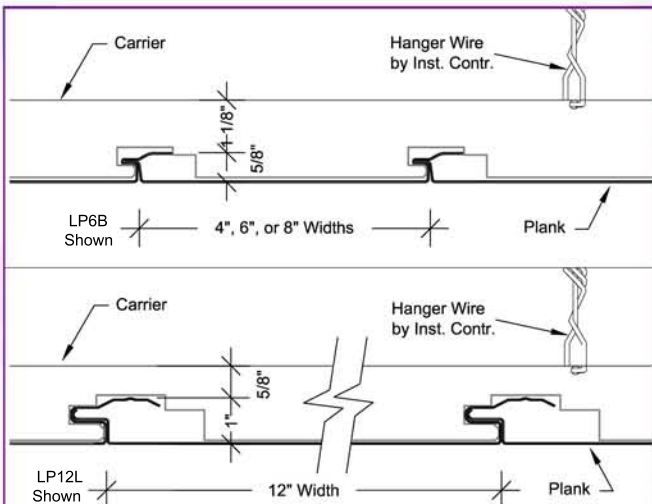
FINISHES: Standard metal are White, Satin Silver, or Gun Metal. Custom Painted are polyurethane epoxy. Premo Wood Laminate are Maple, Cherry, and Walnut.

FIRE CODE: Plank is Class 1 Material per ASTM-E84. Seismic T-Bar Suspension available upon request.

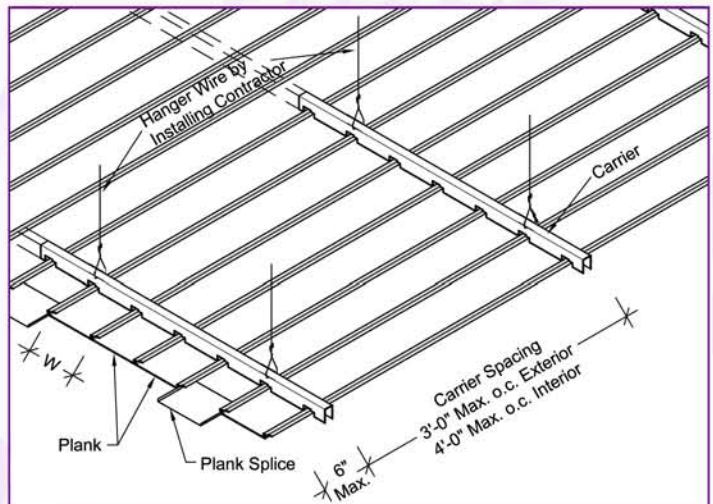
MATERIAL: Linear Plank: Interior Duty from 0.020" to 0.032" thk. aluminum. Exterior or Heavy Duty from 0.032" to 0.063" thk. aluminum. Standard Carrier: 0.040" thk. aluminum.

LEEDs: Upto 90% for aluminum pans & Carrier.

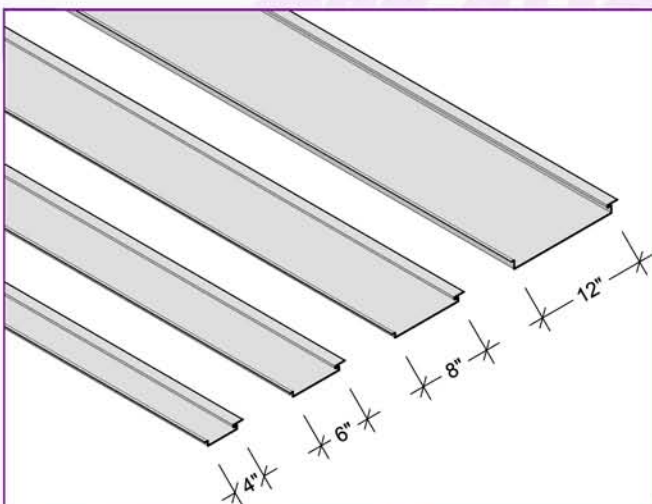
Section - Profiles



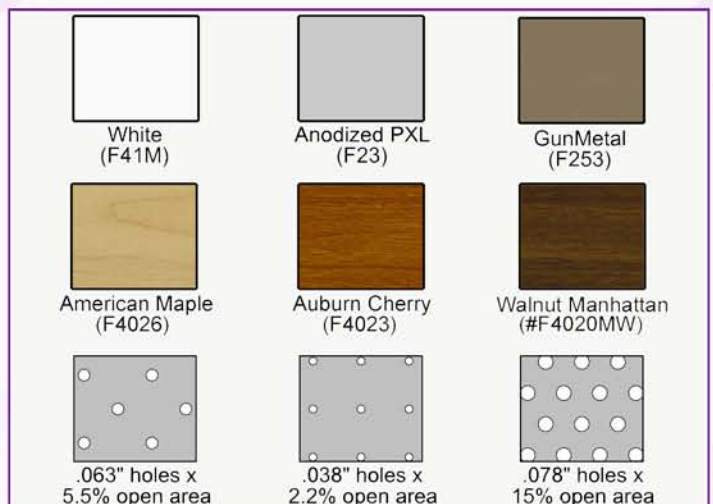
Installation



Standard Widths



Standard Finish/ Perf



**AMERICAN DECORATIVE
CEILINGS & WALLS**

(ALL RIGHTS RESERVED)

LPB CS PG7.PDF

Mail: Post Office Box 605605 - Cleveland, Ohio 44105
 Packages: 4510 East 71st St. - Cleveland, Ohio 44105
 Telephone: (216) 341-2222 - Fax: (800) 336-8501
 email: info@amer-dec.com

MLS7

Linear 'C'- PLANK

Linear Plank - Photo



Linear Plank Data

PLANK SIZES: Standard widths are: 4"; 6"; or 8" x 5/8" dp; & 12"x 1" dp. Std. length is 12'. Others available.

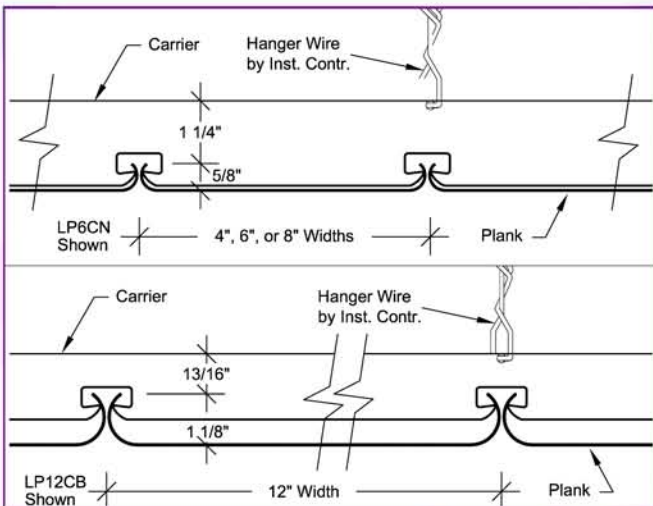
FINISHES: Standard metal are White, Satin Silver, or Gun Metal. Custom Painted are polyurethane epoxy. Premo Wood Laminate are Maple, Cherry, and Walnut.

FIRE CODE: Plank is Class 1 Material per ASTM-E84. Seismic T-Bar Suspension available upon request.

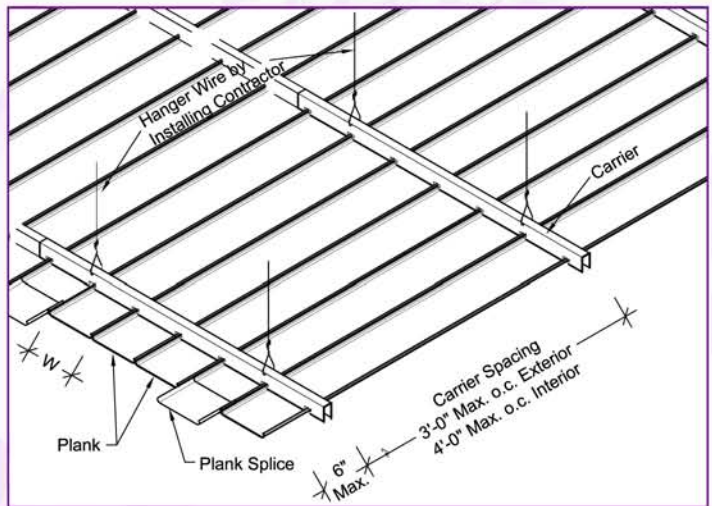
MATERIAL: Linear Plank: Interior Duty from 0.020" to 0.032" thk. aluminum. Exterior or Heavy Duty from 0.032" to 0.063" thk. aluminum. Standard Carrier: 0.040" thk. aluminum.

LEEDs: Upto 90% for aluminum pans & Carrier.

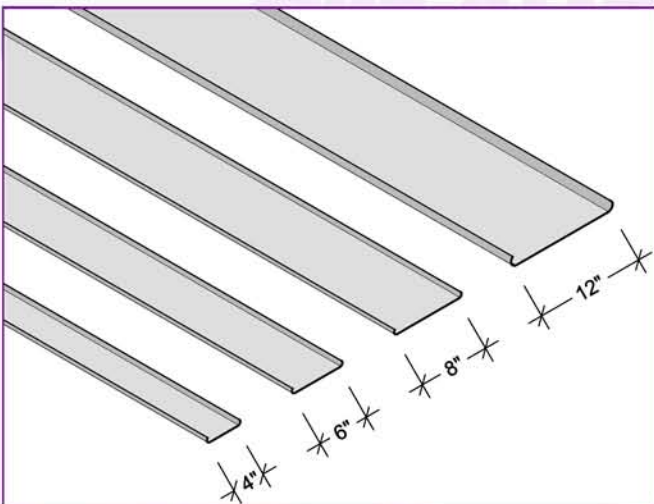
Section - Profiles



Installation



Standard Widths



Standard Finish/ Perf



**AMERICAN DECORATIVE
CEILINGS & WALLS**

(ALL RIGHTS RESERVED)

LPC CS PG7.PDF

Mail: Post Office Box 605605 - Cleveland, Ohio 44105
 Packages: 4510 East 71st St. - Cleveland, Ohio 44105
 Telephone: (216) 341-2222 - Fax: (800) 336-8501
 email: info@amer-dec.com

MLS7

Linear 'X'- PLANK

Linear Plank - Photo



Linear Plank Data

PLANK SIZES: Standard width is 12" (W) x 1" dp. Stnd. length is 12' (L). Other W. & L. are available.

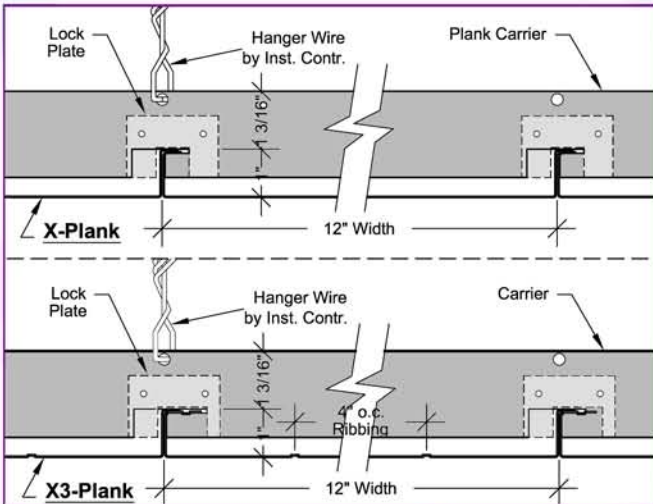
FINISHES: Standard metal are White, Anod'd PXL, or Gun Metal. Custom Painted are polyurethane epoxy. Premo Wood Laminate are Maple, Cherry, and Walnut.

FIRE CODE: Plank is Class 1 Material per ASTM-E84. Seismic T-Bar Suspension available upon request.

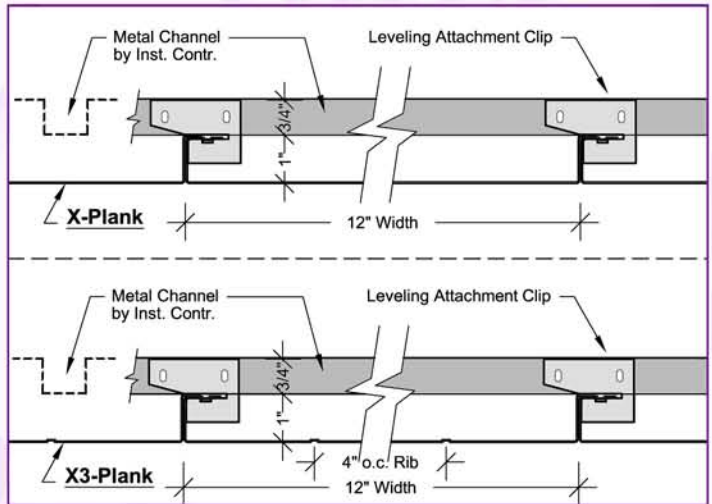
MATERIAL: Linear Plank: Interior Duty from 0.020" to 0.032" thk. aluminum. Exterior or Heavy Duty from 0.032" to 0.063" thk. aluminum. Optional Carrier: 0.040" thk. aluminum.

LEEDs: Upto 90% for aluminum pans & Carrier.

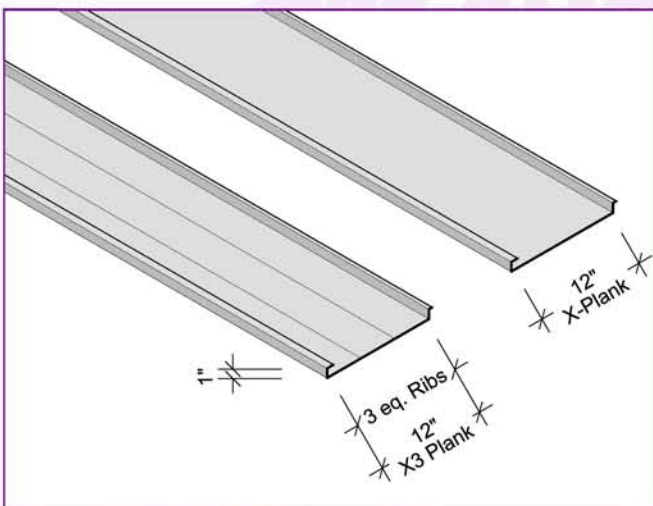
Suspension - Carrier



Suspension - Direct Attach



Standard Widths



Standard Finish/ Perf

White (F41M)	Anodized PXL (F23)	GunMetal (F253)
American Maple (F4026)	Auburn Cherry (F4023)	Walnut Manhattan (#F4020MW)
.063" holes x 5.5% open area	.038" holes x 2.2% open area	.078" holes x 15% open area



**AMERICAN DECORATIVE
CEILINGS & WALLS**

(ALL RIGHTS RESERVED)

LPX CS PG7.PDF

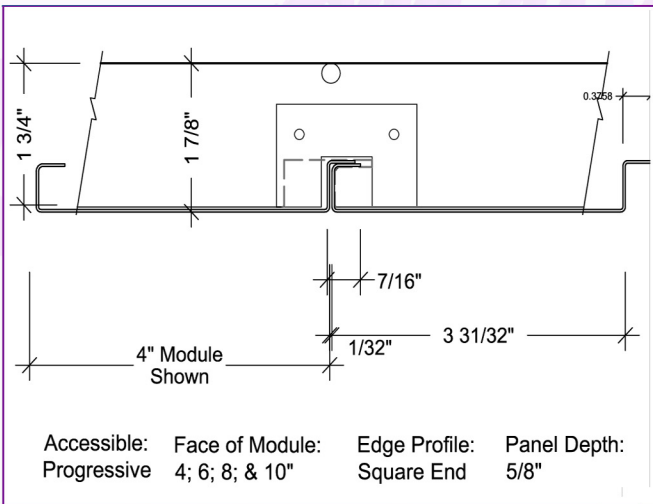
Mail: Post Office Box 605605 - Cleveland, Ohio 44105
 Packages: 4510 East 71st St. - Cleveland, Ohio 44105
 Telephone: (216) 341-2222 - Fax: (800) 336-8501
 email: info@amer-dec.com

MLS7X

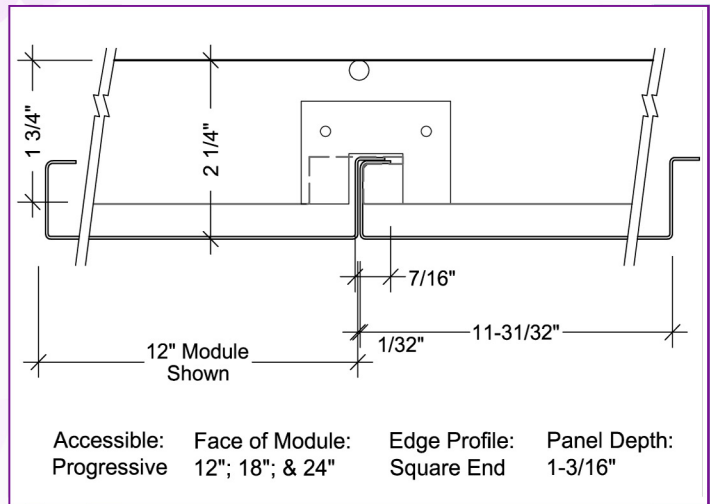
Other

PLANK PROFILES

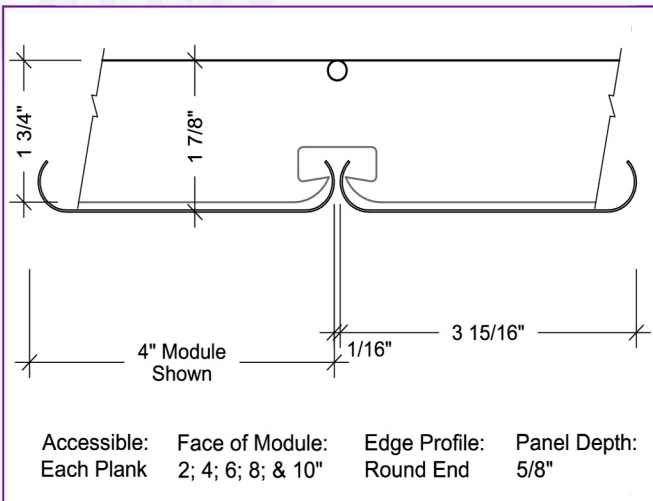
□ A - Plank, standard [LP4A]



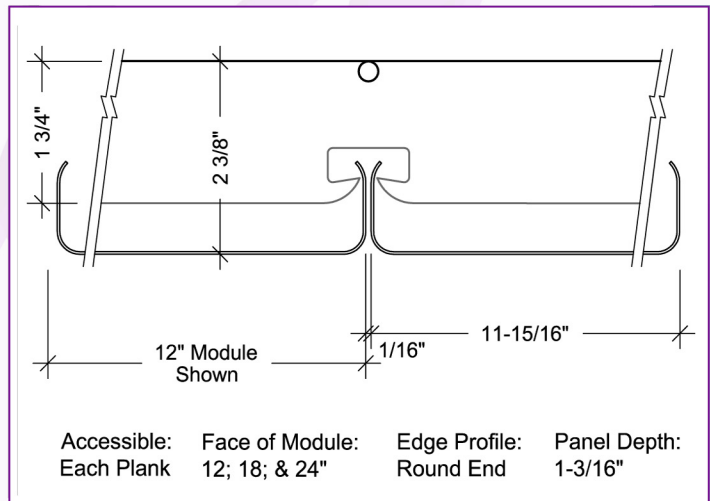
□ X - Plank, heavy duty [LP12X]



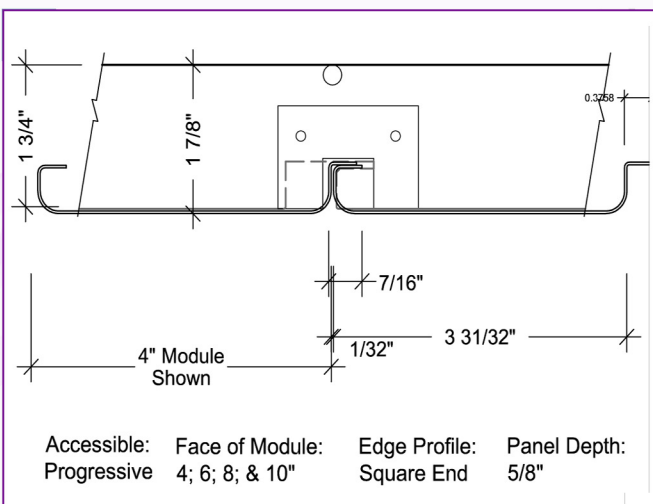
□ C - Plank, standard [LP4C]



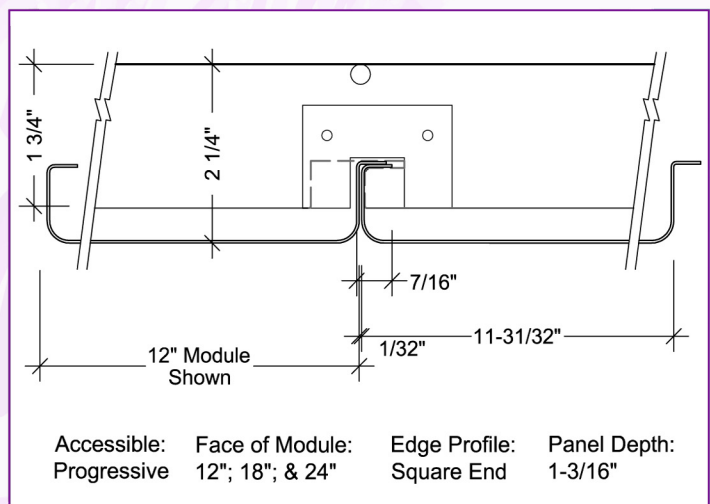
□ Y - Plank, heavy duty [LP12Y]



□ E - Plank, standard [LP4E]



□ Q - Plank, heavy duty [LP12Q]



**AMERICAN DECORATIVE
CEILINGS & WALLS**

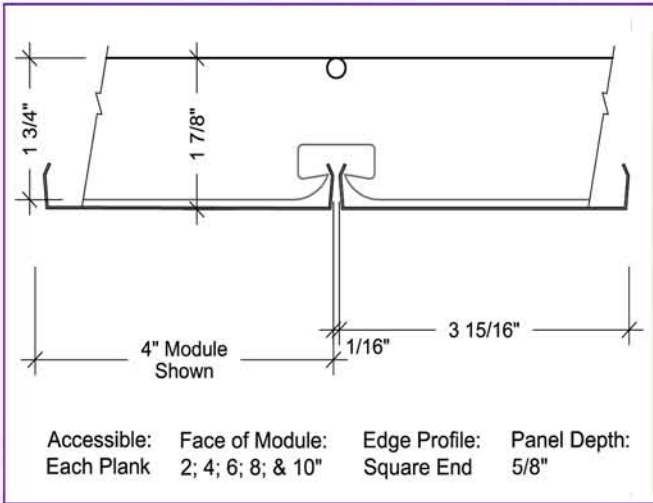
(ALL RIGHTS RESERVED)

LPK OTHER CS PG8.PDF

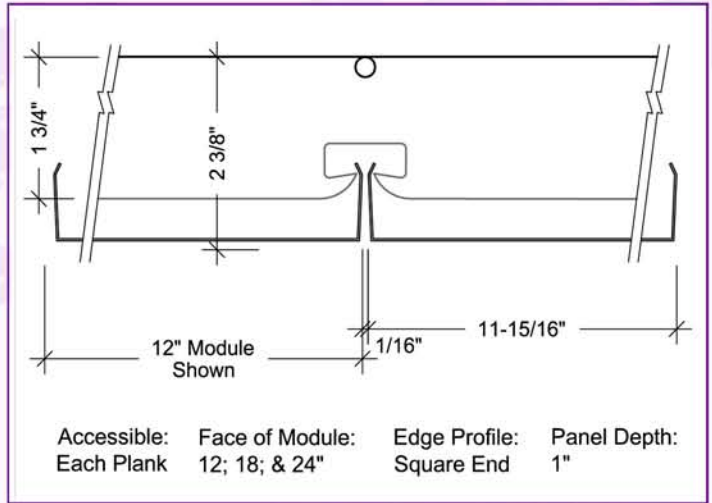
Mail: Post Office Box 605605 - Cleveland, Ohio 44105
 Packages: 4510 East 71st St. - Cleveland, Ohio 44105
 Telephone: (216) 341-2222 - Fax: (800) 336-8501
 email: info@amer-dec.com

Other PLANK PROFILES

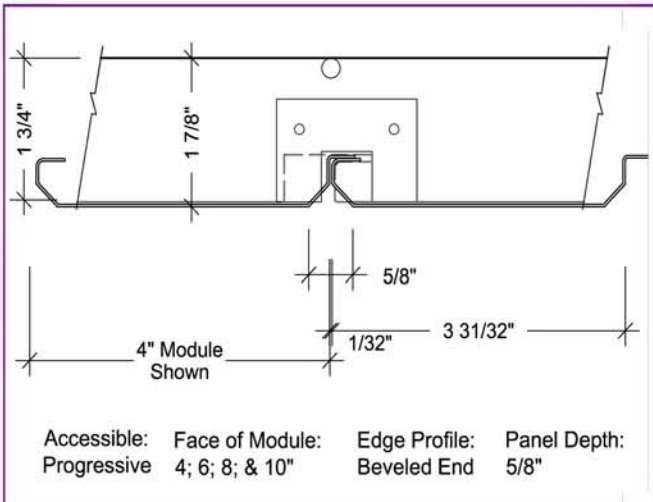
□ G - Plank, standard [LP4G]



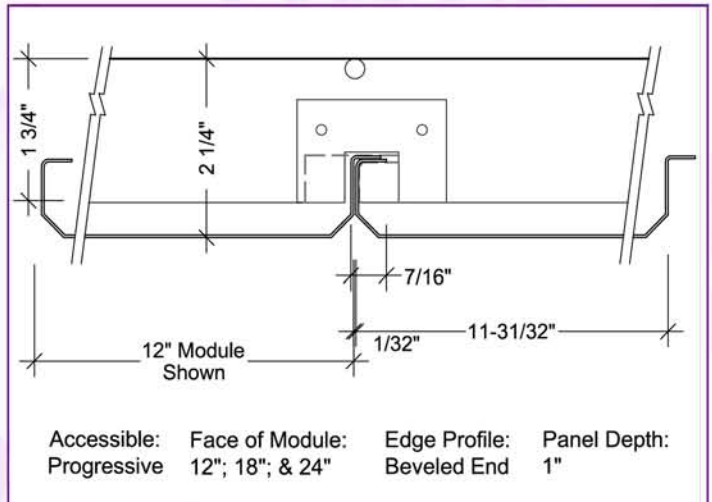
□ V - Plank, heavy duty [LP12V]



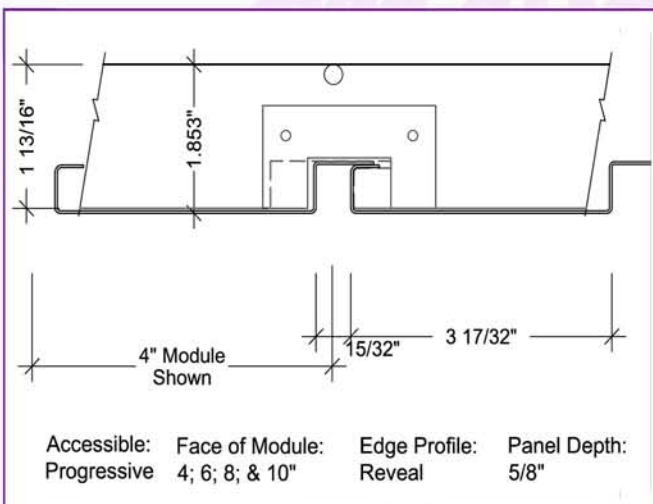
□ H - Plank, standard [LP4H]



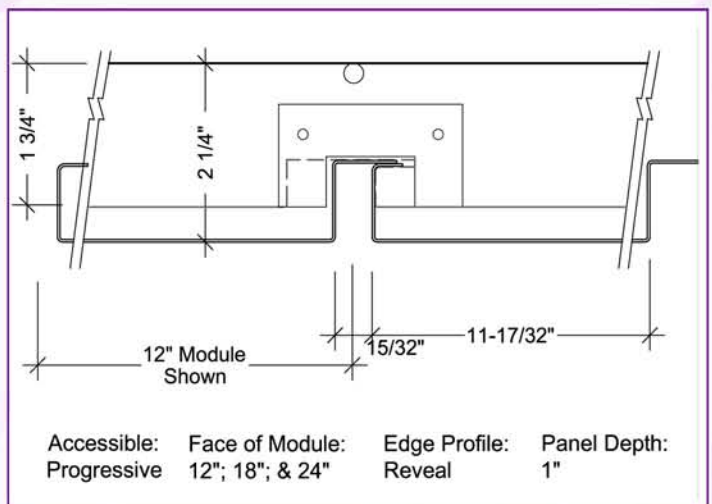
□ M - Plank, heavy duty [LP12M]



□ j - Plank, standard [LP4J]



□ W - Plank, heavy duty [LP12W]



**AMERICAN DECORATIVE
CEILINGS & WALLS**

(ALL RIGHTS RESERVED)

LPK OTHER CS PG9.PDF

Mail: Post Office Box 605605 - Cleveland, Ohio 44105
 Packages: 4510 East 71st St. - Cleveland, Ohio 44105
 Telephone: (216) 341-2222 - Fax: (800) 336-8501
 email: info@amer-dec.com

MLS9