

PERIMALITE

□ Introduction

Perimalite illuminated ceiling systems produce intriguing visual results when used at a wall-to-ceiling juncture. PERIMALITE's graceful sloping design is a perfect form for transition between these two dimensional planes.

□ Technical

PERIMALITE SECTION:

1"x11" beam

PERIMALITE MODULE:

See Perimalite Data next page

FINISHES:

Standard black (F42) is polyester roll coated
Custom (F47) is polyurethane epoxy.
Mirrored are polished brite.

PLENUM:

See Perimalite Data next page.

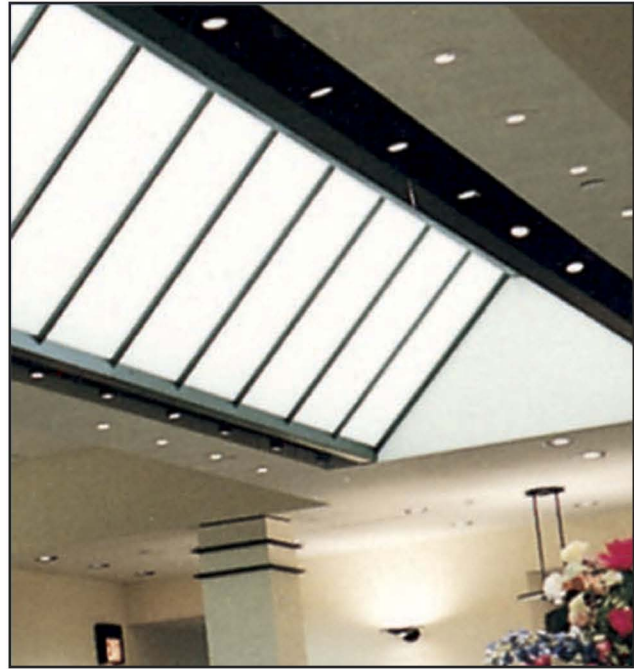
FIRE CODE:

Metal- non-combustible
Lense- flame spread 25 or less
-smoke contributed: 50 or less

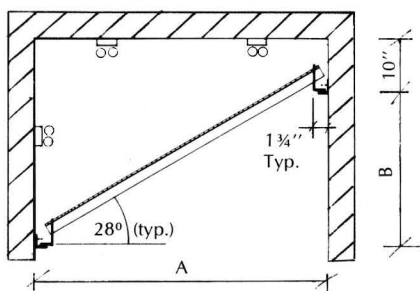
MATERIAL:

Metal- 0.024" galvanized steel
Lense- 100% virgin acrylic

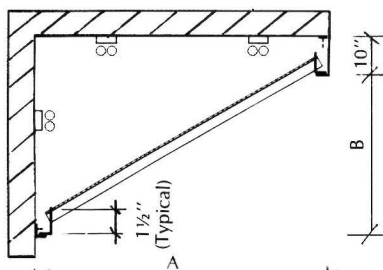
□ Photo



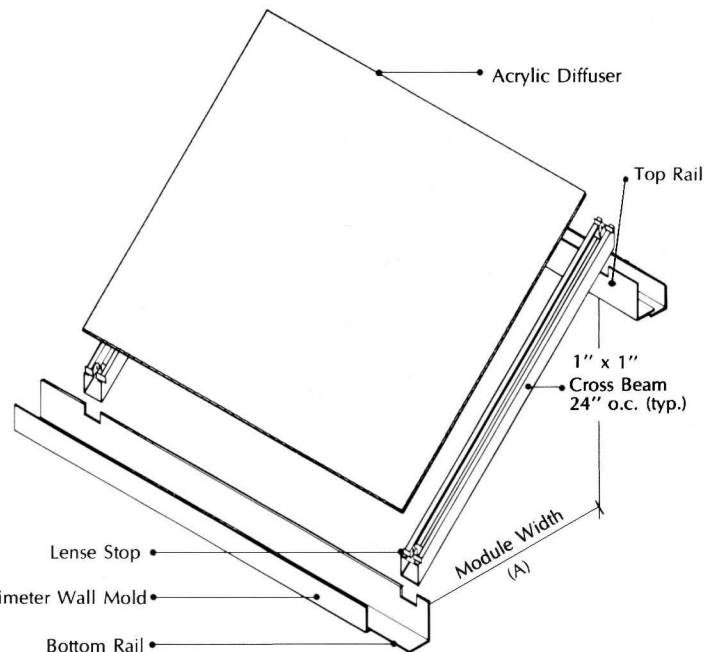
□ Installation



STANDARD INSTALLATION



SOFFIT TRIM INSTALLATION



AMERICAN DECORATIVE CEILINGS

(All Rights Reserved)

Mail: Post Office Box 605605 - Cleveland, Ohio 44105

Packages: 4510 East 71st St. - Cleveland, Ohio 44105

Telephone: (216) 341-2222 • Fax: (216) 341-8501

email: info@amer-dec.com

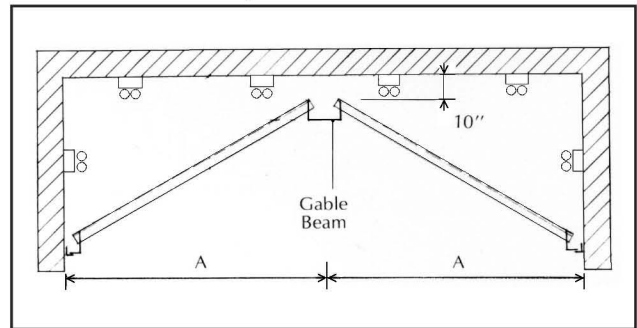
PERIMALITE

□ Perimalite Data

Model Number	'A' Width	'B' Rise	Minimum Plenum	Wt. /L.F.
LPL 24-F42	24"	12-1/8"	22"	2.1
LPL 30-F42	30"	15-3/8"	25"	2.3
LPL 36-F42	36"	18-1/2"	29"	2.6
LPL 42-F42	42"	21-3/4"	32"	2.9
LPL 48-F42	48"	24-7/8"	35"	3.1

For soffet trim add ST after LPL ?? ST-F42
 For tented option add 2X after LPL ?? 2X-F42

□ Tented Option



□ Specification

PART 1- GENERAL (See typical "General" section of "Typical Specification")

PART 2- PRODUCTS

2.01 Manufacturer

A. Illuminated ceiling system shall be "Perimalite" model number LPL??-F42 (insert unit width in inches at ??'s), (see Perimalite Data for required size), (if finish is other than black, insert appropriate number from section 2.02 G. below), as manufactured by American Decorative Ceilings, Inc.; 4510 E. 71st St. Cleveland, Ohio 44105; Telephone number (216) 341-2222.

2.02 Materials

- A. All suspension members to be constructed of the following:
1. Material: 24 Gage galvanized steel with zinc plating to inhibit rust.
 2. Finish: Two part polyurethane epoxy.
 3. Profile: 1"x1" beams as indicated on Installation Drawings.
 4. Edge Trim Profile: As indicated on Installation Drawings.
- B. Cross Beams of standard lengths, formed into channel sections with stabilizing returns on top of section for uniform rigidity. Channel dimensions as indicated on Installation Drawings.
- C. Perimeter rails of same material as Cross Beams, factory pre-notched to accpet diagonal beam members so as to provide a flush, uniform intersection, free of any exposed fasteners or hardware. Rail lengths as indicated on Installation Drawings.
- D. Gable Beam (Optioal-only used for back to back applications of Perimalite) Formed and fabricated from 20 gage cold rolled steel, w/zinc plating. Size, and shape as indicated on Installation Drawings.
- E. Acrylic diffusers to be manufactured from 100% virgin acrylic, with a maximum temper set of 25, and a rollstress relief of 5. Minimum thickness to be 0.080", color to be milk white, and sizes to be factory pre-cut.
- F. Lense stops and lense separators to be provided by the manufacturer for loacations pers Installation Drawings. Said brackets to ensure the proprer alignment of lenseswith the metal suspension components.
- G. Finish to be (black(F42)), white(F41)), (medium bronze (F44)), (custom color(F47)), (polished silver (F03)), or (polished gold (F07)) (strike out all non-applicable finishes)

2.03 Fabrication

- A. Fabrication of glazed acrylic diffusers and metal suspension system to be factory cut, mitred, and notched. All intersections are to be factory mitred for easy abutting joints. ONLY MINOR FIELD FABRICACION WILL BE ACCEPTED.
- B. Fasteners through-out shall be electroplated galvanized steel of proper design and strength to accomplish fastening purpose.

PART 3-EXECUTION (See typical "Execution" Section of "Typical Specification")



AMERICAN DECORATIVE CEILINGS

(All Rights Reserved)

Mail: Post Office Box 605605 - Cleveland, Ohio 44105

Packages: 4510 East 71st St. - Cleveland, Ohio 44105

Telephone: (216) 341-2222 • Fax: (216) 341-8501

email: info@amer-dec.com