

RIPPLE WALL

Technical

PANEL SIZES: Standard is 42" wide by 96" or 120" lengths. Other sizes available.

PROFILE: ADC offers 20 different Profiles. See Profile sheets for specifications.

FINISHES: Standards are Mastic White, Baron Ivory, Victorian Gray, or Mill Finish.

PERFORATION: Standard is 1/8" holes on 21/64" staggered centers, 14% open area.

INSULATION: Standard is 2" thk., sealed in black poly bag. Other thicknesses available.

FIRE CODE: Class 1 Material (ASTM E84)

MATERIAL: Aluminum or galvanized steel. See Profile sheets for appropriate thickness. Leads - 70% Recycled Content (Aluminum)

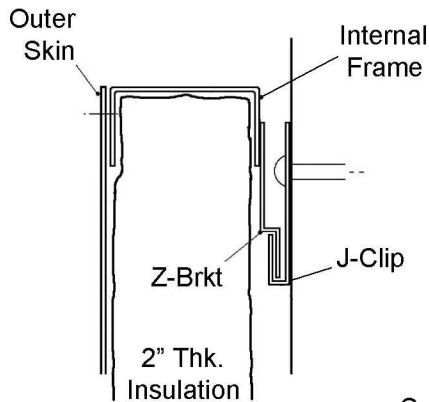
(Contact Factory for full Architectural Specification)

Photo

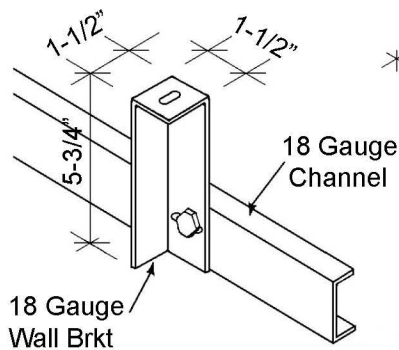


Installation

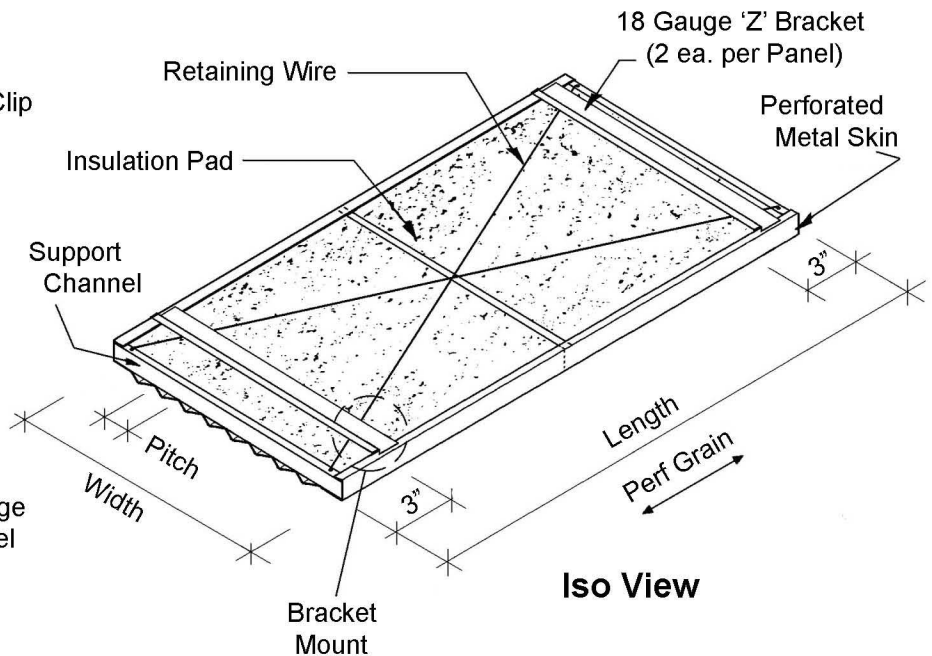
Bracket Mount



Post Mount



Self Contained Acoustical Panel



Iso View

