

☐ Visions 400 - Photo



☐ Tegular Panel Data

PANEL SIZES: Standard are 2'x 2'; 2'x 4'; 1'x 4'; and 3'x 3'. Custom Sizes: 1' x 1' upto 4' x 10' available.

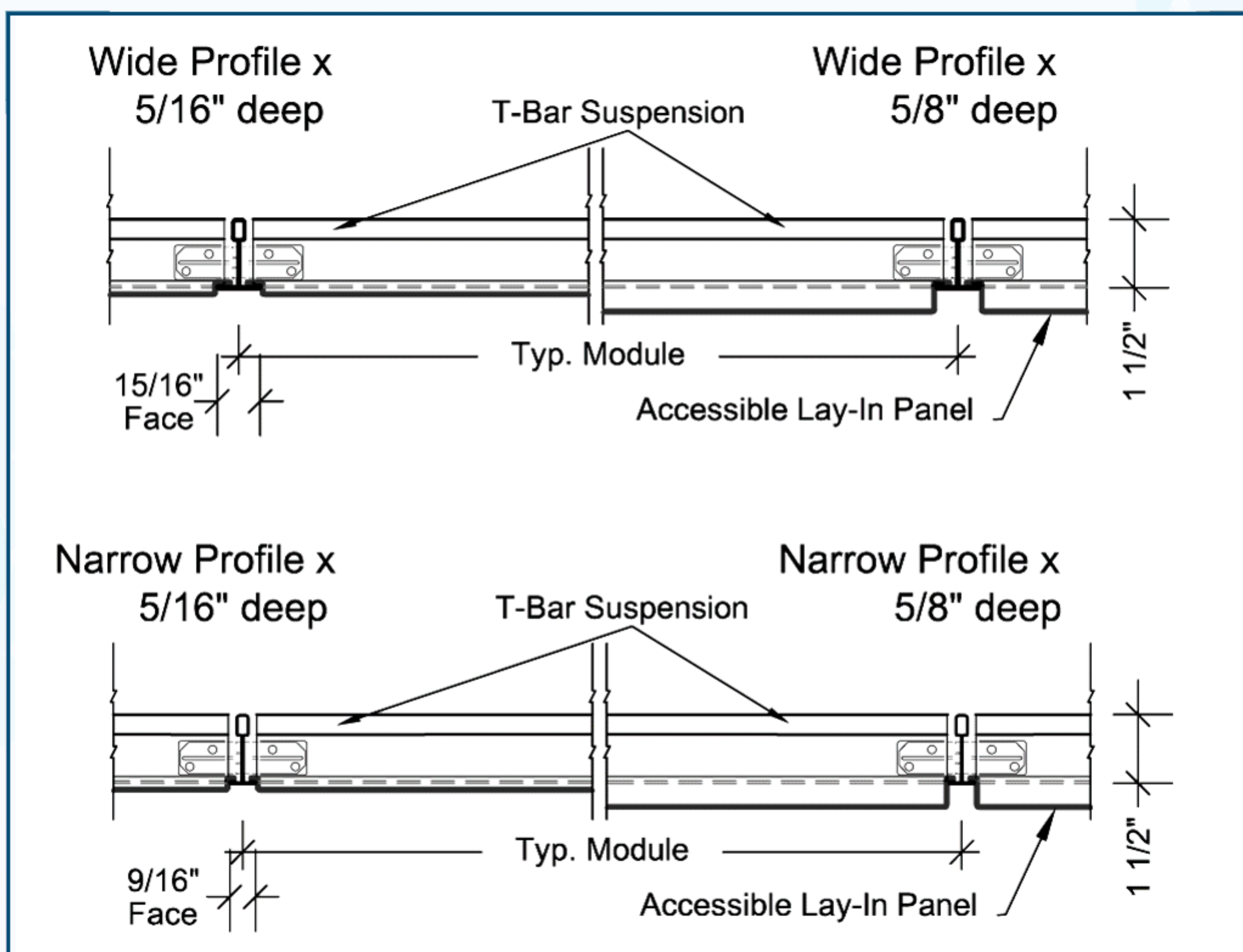
FINISHES: Standard metal are White, Satin Silver, or Gun Metal. Custom Painted are polyurethane epoxy. Premo Wood Laminate are Maple, Cherry, and Walnut.

FIRE CODE: Panel is Class 1 Material per ASTM-E84. Fire-Rated T-Bar Suspension available upon request.

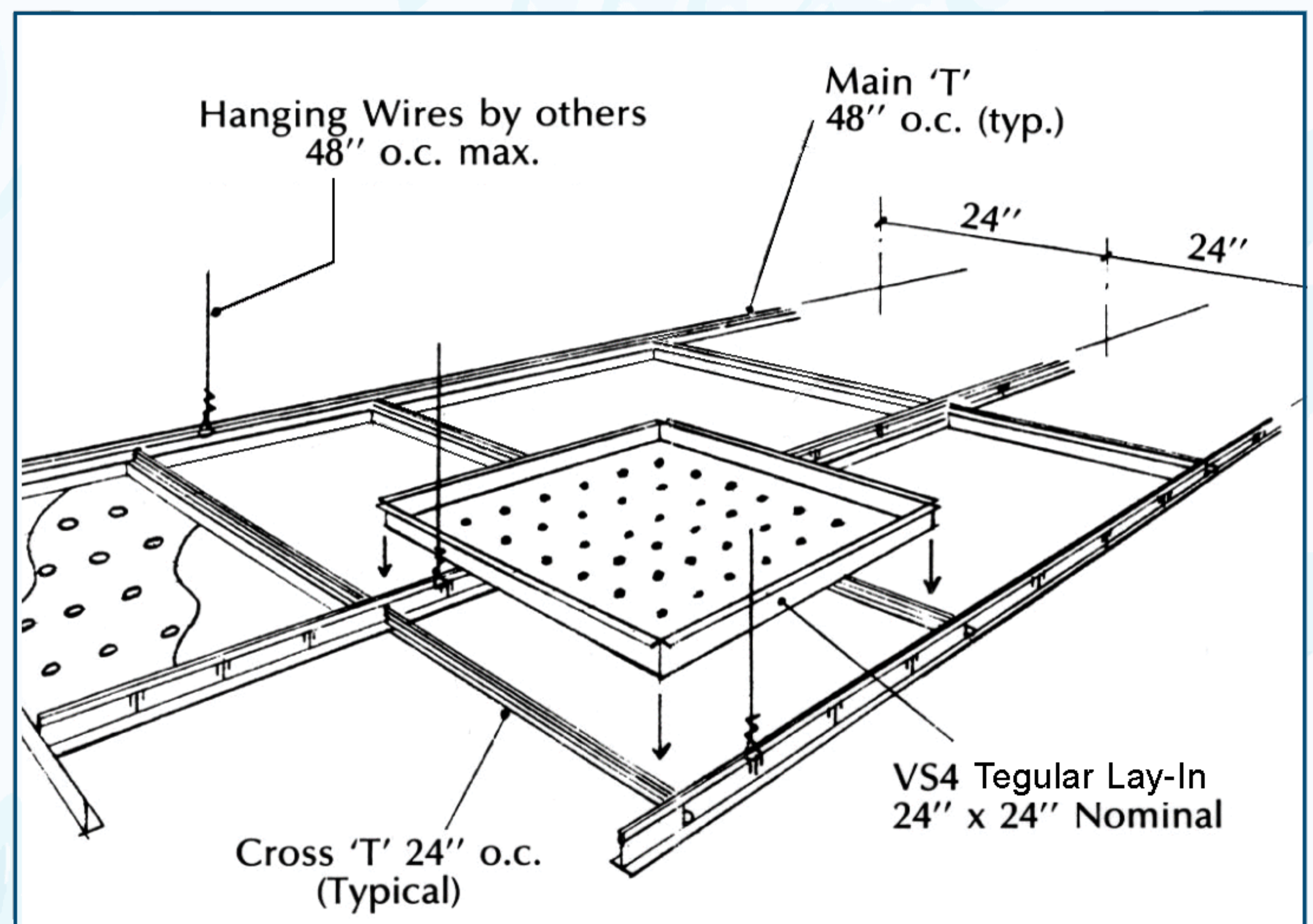
MATERIAL: Recommended for Panels upto 2' wide = .025" thk. aluminum, 3' wide = .032" thk. aluminum, 4' wide = .040" thk. aluminum. T-Bar Suspension = .021" thk. galvan'd steel (std) or .024" thk (heavy duty).

LEEDs: Upto 90% for aluminum panel, 20% galvanized.

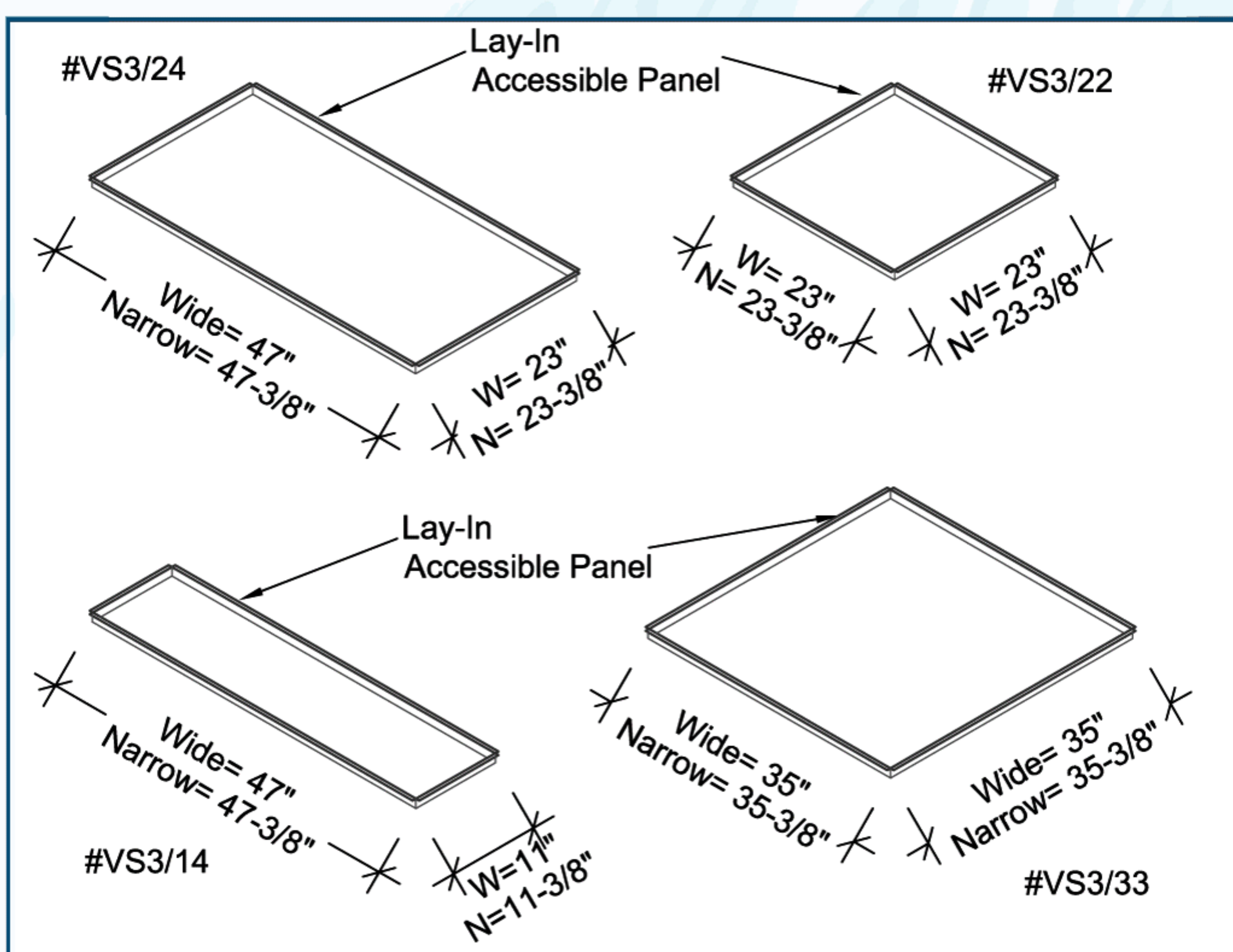
☐ Joint Options



☐ Installation



☐ Standard Sizes



☐ Standard Finish/ Perf

