

Metal VISIONS 800

☐ Visions 800 - Photo



☐ Clip-In Panel Data

PANEL SIZES: Standard are 2'x 2'; 2'x 4'; 1'x 4'; and 3'x 3'. Custom Sizes: 1' x 1' upto 4' x 4' available.

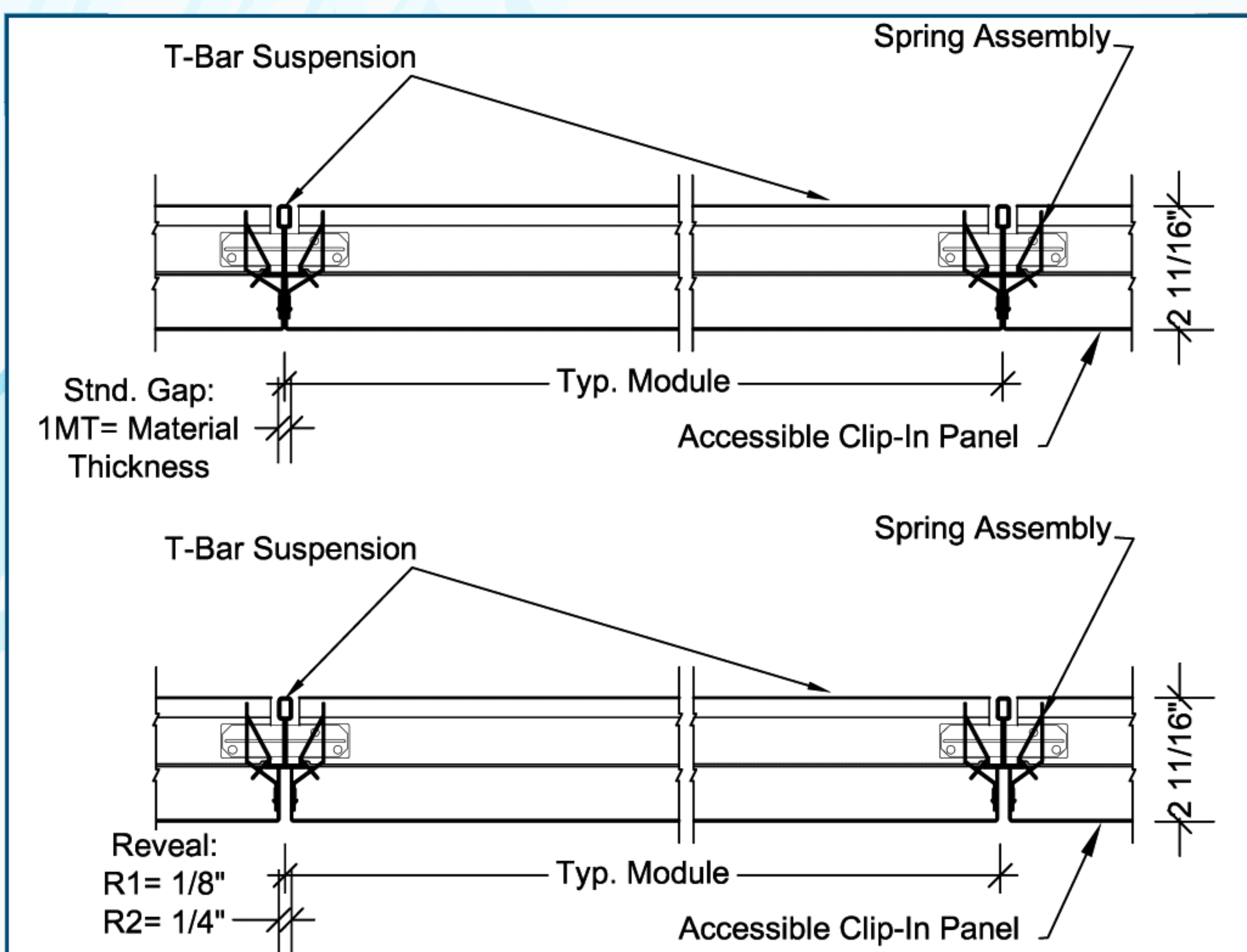
FINISHES: Standard metal are White, Satin Silver, or Gun Metal. Custom Painted are polyurethane epoxy. Premo Wood Laminate are Maple, Cherry, and Walnut.

FIRE CODE: Panel is Class 1 Material per ASTM-E84. Fire-Rated T-Bar Suspension available upon request.

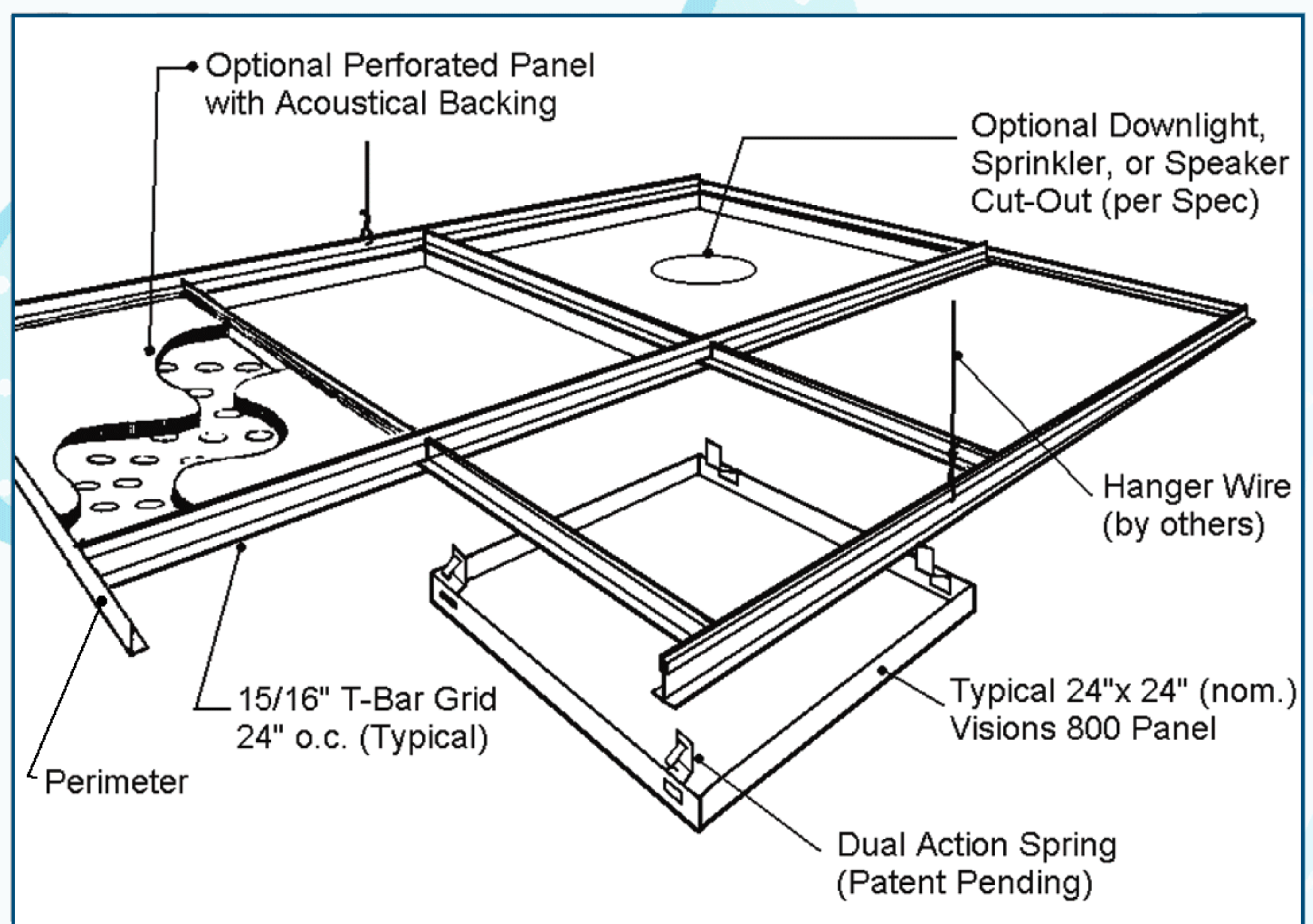
MATERIAL: Recommended for Panels upto 2' wide = .032" thk. aluminum, 3' wide = .040" thk. aluminum, 4' wide = .050" thk. aluminum. T-Bar Suspension = .021" thk. galvan'd steel (std) or .024" thk (heavy duty).

LEEDs: Upto 90% for aluminum panel, 20% galvanized.

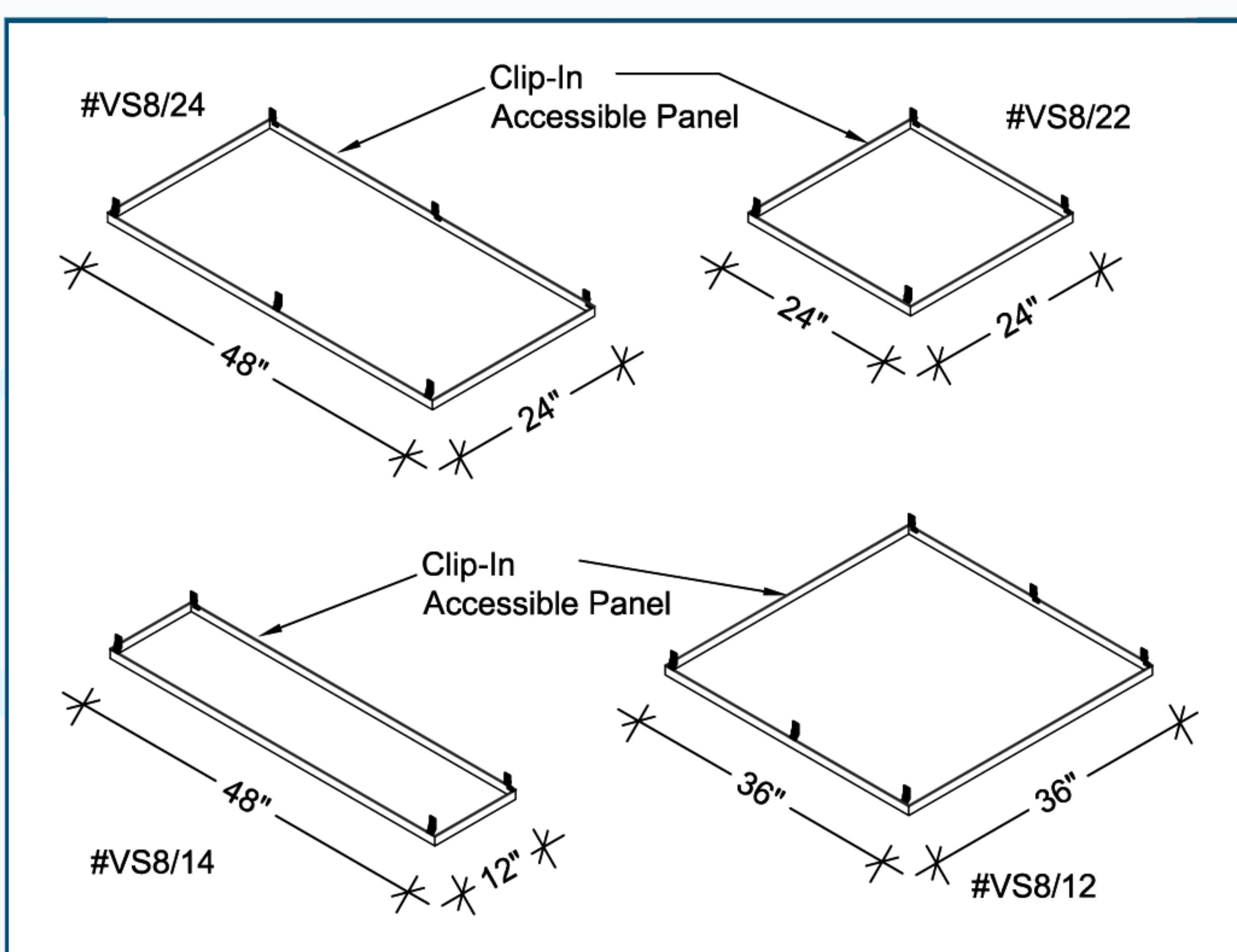
☐ Joint Options



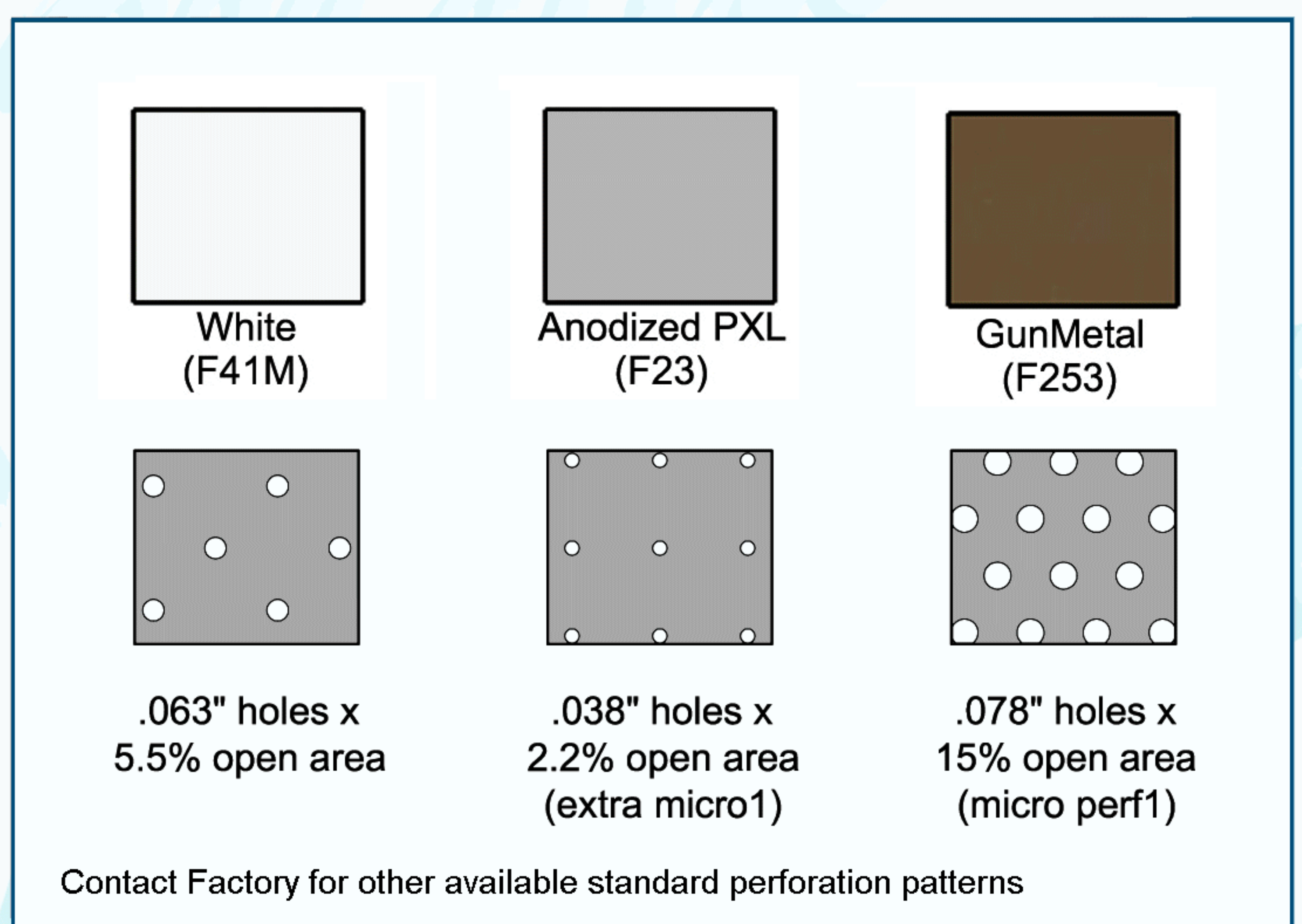
☐ Installation



☐ Standard Sizes



☐ Standard Finish/ Perf



**AMERICAN DECORATIVE
CEILINGS & WALLS**

(ALL RIGHTS RESERVED)

VSB CS 122514.PDF

Mail: Post Office Box 605605 - Cleveland, Ohio 44105
 Packages: 4510 East 71st St. - Cleveland, Ohio 44105
 Telephone: (216) 341-2222 - Fax: (800) 336-8501
 email: info@amer-dec.com