

WOOD VISIONS 100R

Technical

PANEL SIZES: Standards is 2'x 2'. Optional are 1'x 1' thru 4'x 10'.

REVEALS: Standards are R0= 0", R1= 1/8", R2= 1/4", or R3= 3/8".

FINISHES: Standards is Premo Wood Laminate (#F40??). Optional is Re-Al Wood Veneer (#F39??)

PERFORATION: Standard is Smooth. Optional is from Wood Perforation Selector.

INSULATION: Standard is un-insulated. Optional is black polybag or black fleece.

FIRE CODE: Class 1 Material (ASTM E84)

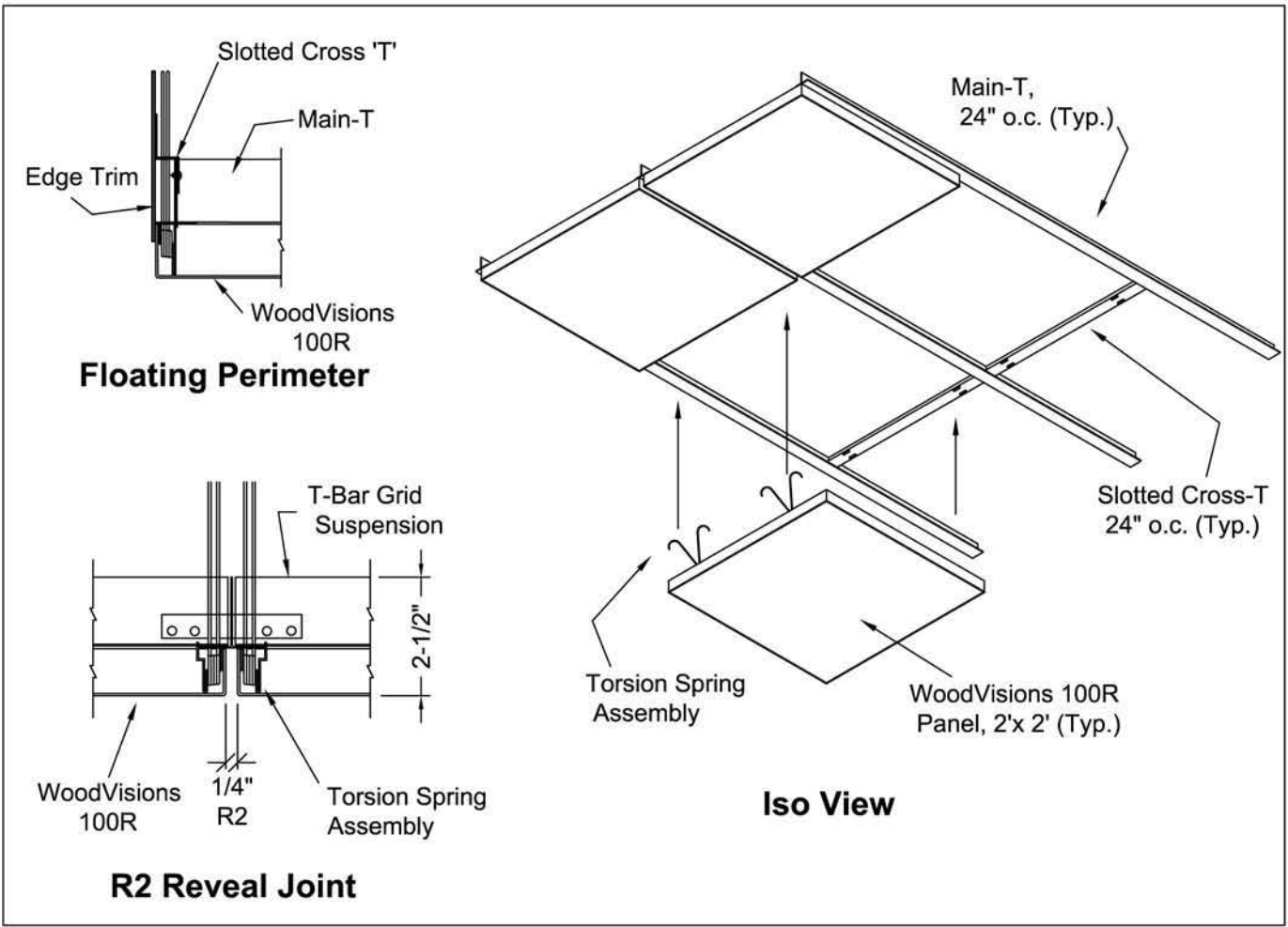
MATERIAL: Aluminum of appropriate thickness for intended use.
Leeds - 70% Recycled Content

(Contact Factory for full Architectural Specification)

Photo



Installation



VISIONS AVAILABLE PERFS

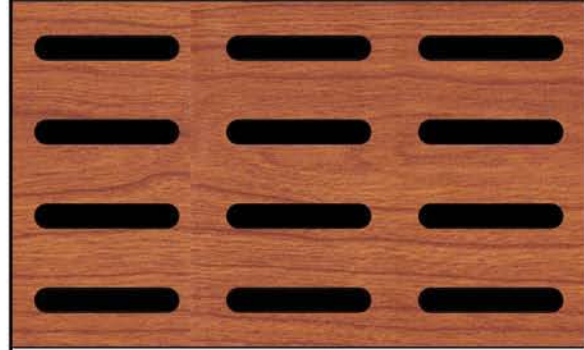
Oblong Patterns

PQ417T



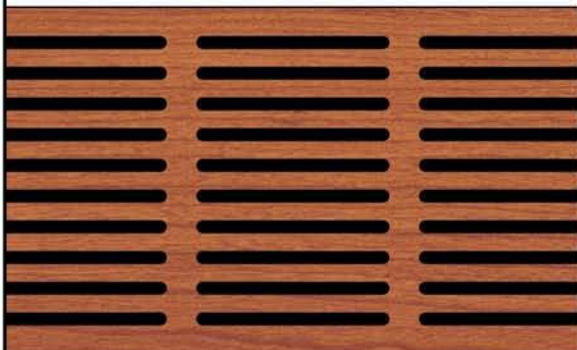
1/16" by 1" Oblongs, Straights (17% Open Area) .320" x 1.160" o.c.

PQ820T



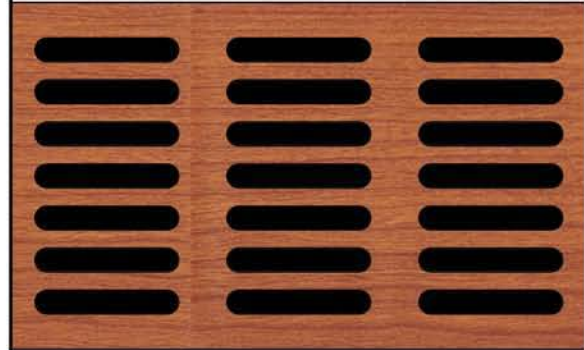
1/8" by 3/4" Oblongs, Straights (20% Open Area) .438" x 1" o.c.

PQ433T



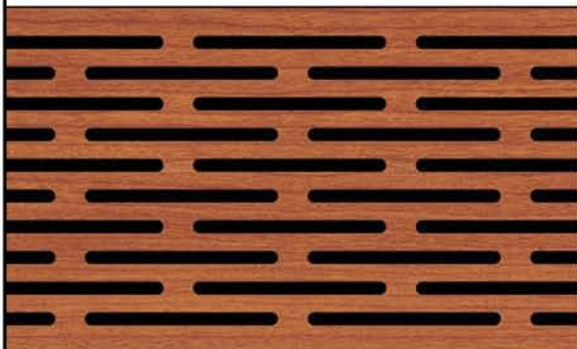
1/16" by 1" Oblongs, Straights (33% Open Area) .160" x .580" o.c.

PQ841T



1/8" by 3/4" Oblongs, Straights (41% Open Area) .219" x 1" o.c.

PQ433S



1/16" by 1" Oblongs, Staggered (33% Open Area) .160" x .580" o.c.

PQ841S



1/8" by 3/4" Oblongs, Staggered (41% Open Area) .219" x 1" o.c.



AMERICAN DECORATIVE CEILINGS

(ALL RIGHTS RESERVED) CSVSPERFQ1.PSD

Mail: Post Office Box 605605 - Cleveland, Ohio 44105
Packages: 4510 East 71st St. - Cleveland, Ohio 44105
Telephone: (216) 341-2222 - Fax: (800) 336-8501
email: info@amer-dec.com

VSP-1