



# the Ripple Pan



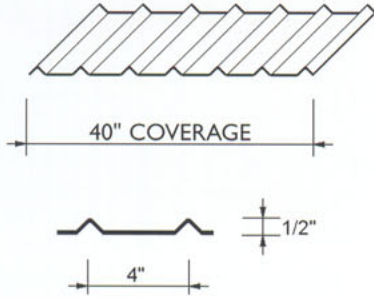
- flat, curved, vaulted or undulating
- economical
- interior / exterior
- panels can either be directly attached, mounted, or lay into grid
- acoustical properties with a NRC of up to 1.05

## **AMERICAN DECORATIVE CEILINGS**

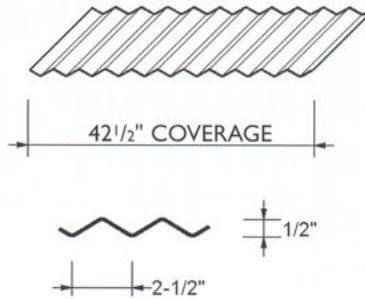
Packages: 4510 East 71st Street  
Mail: P.O.Box 605605  
Cleveland, OH 44105  
(216) 341-2222  
Fax (800) 336-8501

# TYPICAL PROFILES

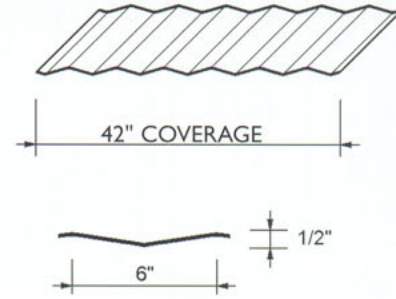
RP10D



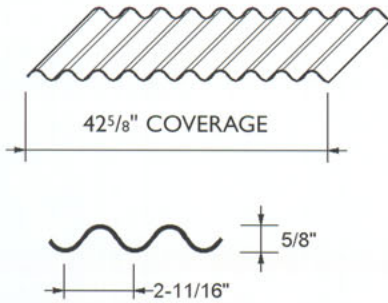
RP20D



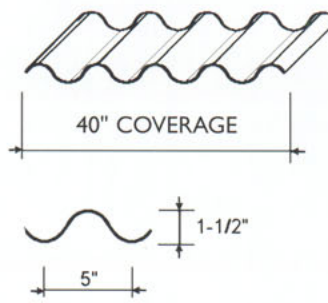
RP26D



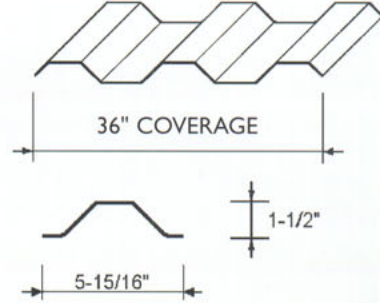
RP30R



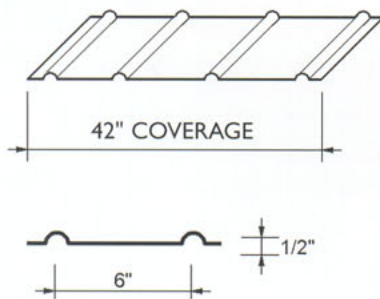
RP35D



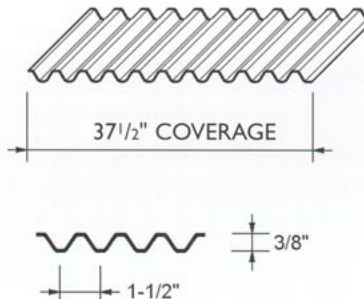
RP40D



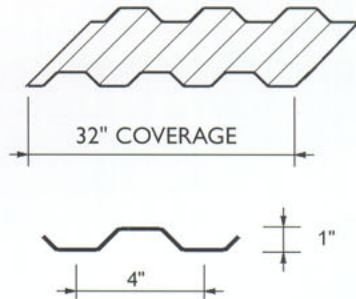
RP50D



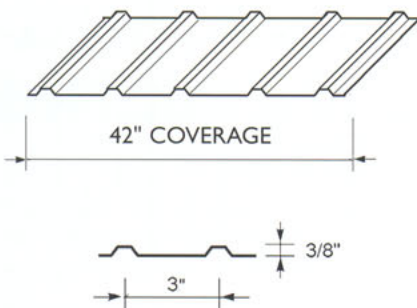
RP60D



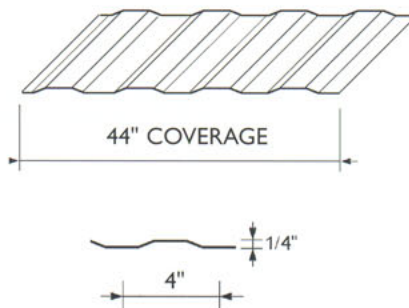
RP62R



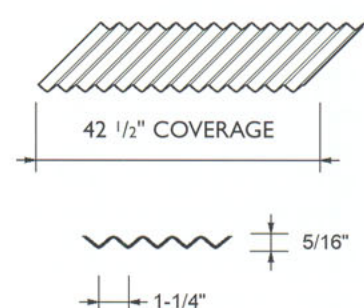
RP63D



RP64D

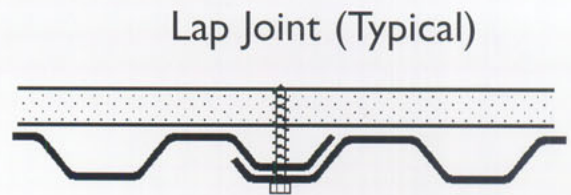
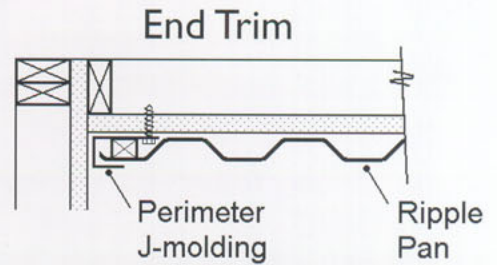
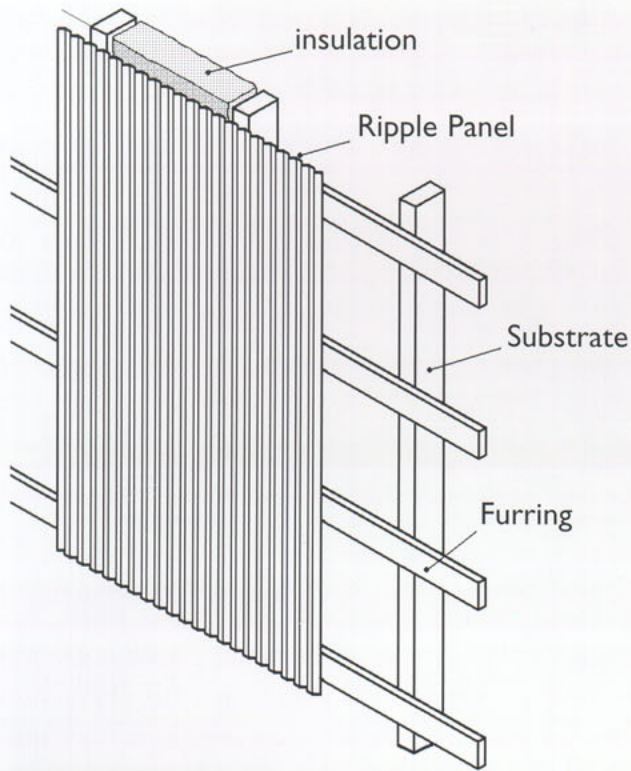


RP80D

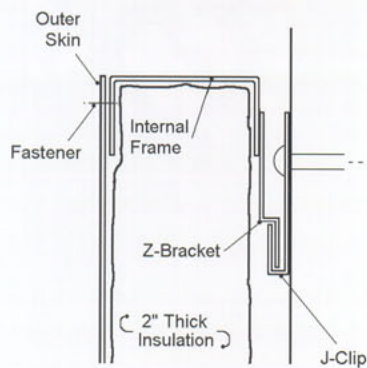


# RIPPLE PAN

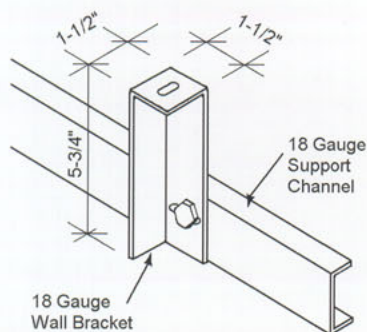
(DIRECT APPLICATION)



# BRACKET MOUNT

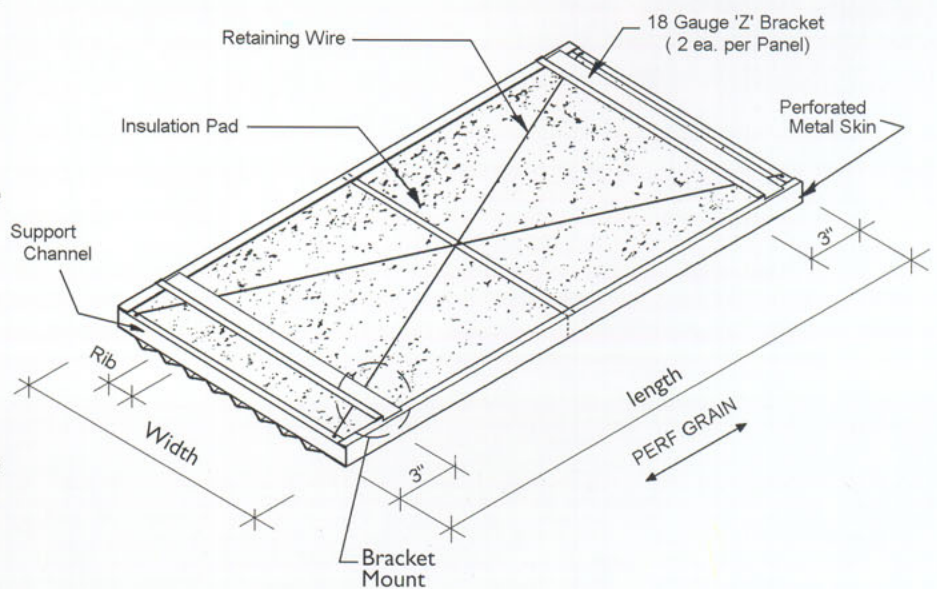


# POST MOUNT



# RIPPLE WALL

(SELF-CONTAINED)



# Technical Data:



Ripple Pan is an economical and cost effective way to address issues of noise abatement while arriving at a distinctive look either indoors or out.

## **PANEL SIZES:**

Standard Widths vary per profile. See profile sheet.  
Standard Length for 30R, 32R, 61D and 64D is 12'0".  
Standard Length (and maximum length) for all other profiles is 10'-0".  
Optional lengths available, contact factory

## **FINISHES:**

Standard are White (F41), Baron Ivory (F105), Victorian Gray (F307) and Mill finish (FØ).  
Custom are electro-statically applied poly-urethane epoxy paint (F47).  
Premium are Satin Anodized (F23R), Brushed (F98), Stainless (F08) and 32 available Kynar (FKY) colors.

## **OPTIONS:**

**PERFORATION:** Standard perf patterns are 1/8" diameter holes on 2 1/4" staggered centers. Other Patterns available. Also, non-perforated material is available.

## **TEXTURE:**

Standard is smooth. Optional is stucco embossed

## **FIRE CODE:**

Metal panels are non combustible (ASTM E-84)