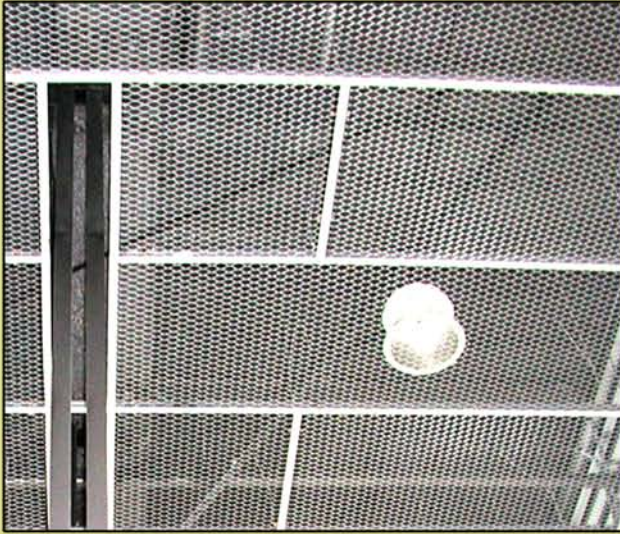


DIAMOND MESH

Photo



Technical

PANEL SIZES: Standard is 2'x 2'.
Optional are 1'x 1' thru 4'x 6'

FINISHES: Standards are Mastic White (#F41M), Anodized PXL (F23), or GunMetal (F253).
Custom painted are polyurethane epoxy (#F47).
Mirrored/Brushed are polished brite (#FSP)

PLENUM: 4" minimum

PROFILES: See Diamond Mesh Data below.

INSULATION: Acoustical insulation is optional.

FIRE CODE: Class 1 Material (ASTM E84)

MATERIAL: Metal of appropriate thickness
Leeds - 70% Recycled Content (Aluminum)
- 18% Recycled Content (Steel)

(Contact Factory for full Architectural Specification)

'D'-Mesh Data - Aluminum

MODEL NUMBER	PROFILE	OPEN	WT./SF.
EXP32/22D1-FST	.094"	47%	0.30#
EXP32/22D2-FST	.188"	60%	0.24#
EXP50/22D3-FST	.500"	62%	0.35#
EXP50/22D4-FST	.750"	76%	0.21#
EXP80/22D5-FST	1.50"	83%	0.24#

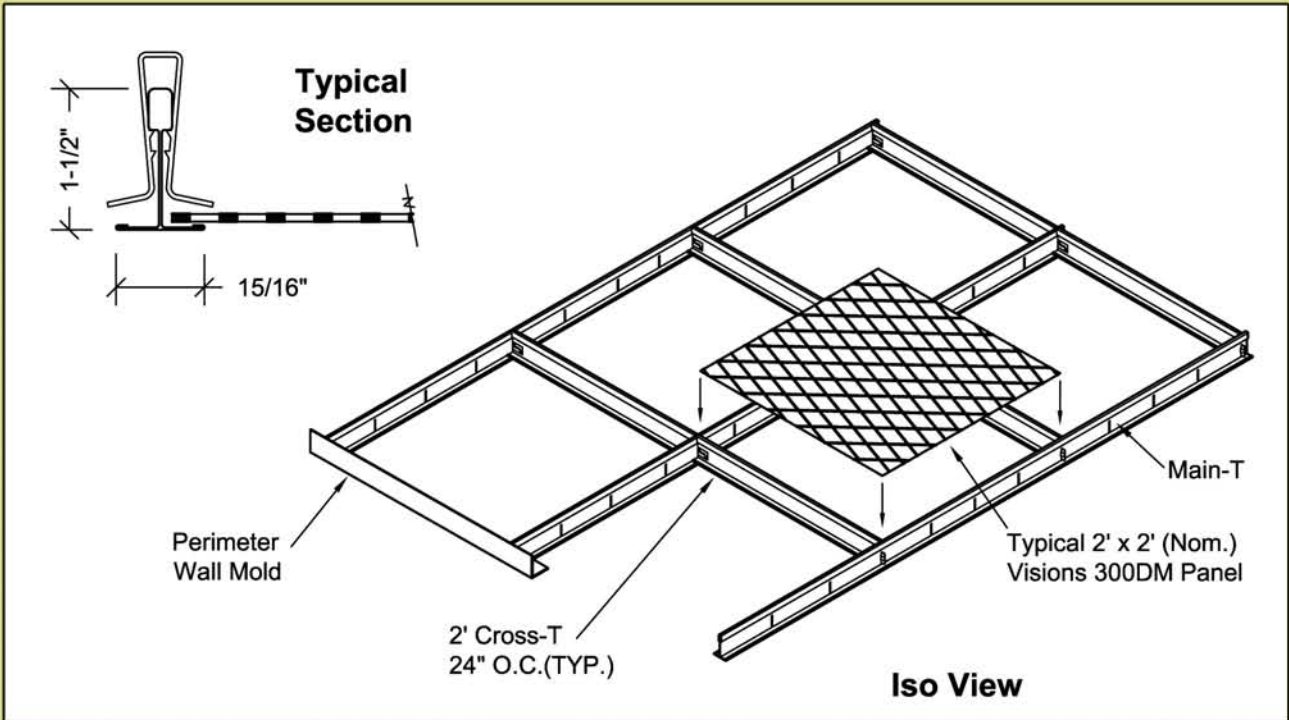
Other sizes available

'D'-Mesh Data - Steel

MODEL NUMBER	PROFILE	OPEN	WT./SF.
EXP18/22D1-FST	.094"	54%	0.38#
EXP24/22D2-FST	.188"	65%	0.29#
EXP36/22D3-FST	.500"	71%	0.38#
EXP48/22D4-FST	.750"	78%	0.29#
EXP48/22D5-FST	1.50"	86%	0.34#

Other sizes available

Installation



AMERICAN DECORATIVE CEILINGS

(ALL RIGHTS RESERVED)

EXPANDED.DWG

Mail: Post Office Box 605605 - Cleveland, Ohio 44105
 Packages: 4510 East 71st St. - Cleveland, Ohio 44105
 Telephone: (216) 341-2222 - Fax (800) 336-8501
 email: info@amer-dec.com