

CLOUDLINER

Technical

TRIM SIZES:

Standard stocking are nom. 2", 4", 6", 8" and 10"
 Standard non-stocking are nom. 3", 12" thru 24"
 Custom sizes are available

FINISHES:

Standard are polyester roll coated (#FSTD)
 Custom Painted are polyurethane epoxy (#F47)
 Mirrored/ Brushed are polished (#FSP)
 Wood Laminate are (#F40??)
 Wood Veneer are (#F39??)

FIRE CODE:

Class 1 Material per ASTM E84

MATERIAL:

Aluminum, adequate thickness for flatness

(Contact Factory for full Architectural Specification)

Photo



CL Data - Straight

MODEL NO.	HEIGHT	WT/ LF	STD. LG.
CL2/144-F41	2-1/8"	0.3#	12'
CL4/144-F41	3-3/4"	0.4#	12'
CL6/144-F41	5-3/4"	0.5#	12'
CL8/144-F41	7-3/4"	0.6#	12'
CL10/144-F41	9-3/4"	0.7#	12'

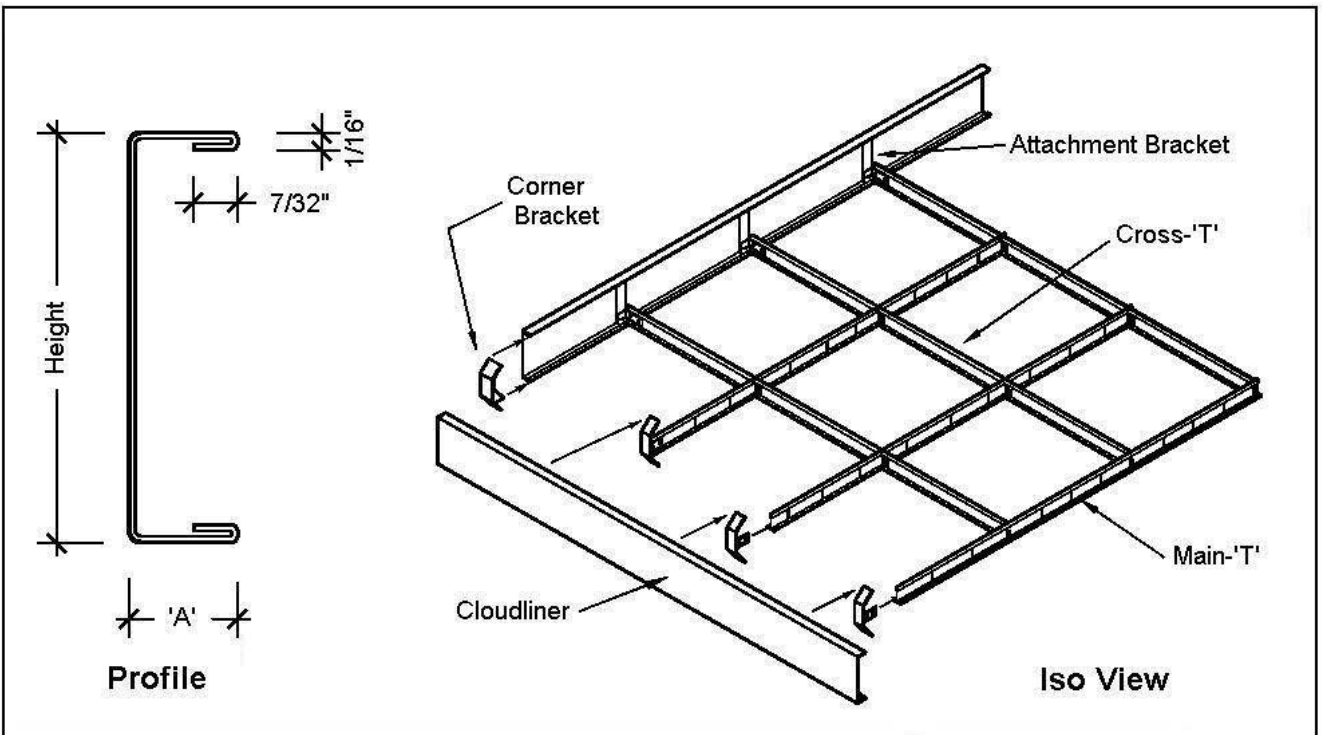
(Other sizes available)

CL Data - Curved

MODEL NO.	HEIGHT	WT/ LF	STD. LG.
CL2R/144-F41	2-1/8"	0.5#	10'
CL4R/144-F41	3-3/4"	0.6#	10'
CL6R/144-F41	5-3/4"	0.8#	10'
CL8R/144-F41	7-3/4"	0.9#	10'
CL10R/144-F41	9-3/4"	1.1#	10'

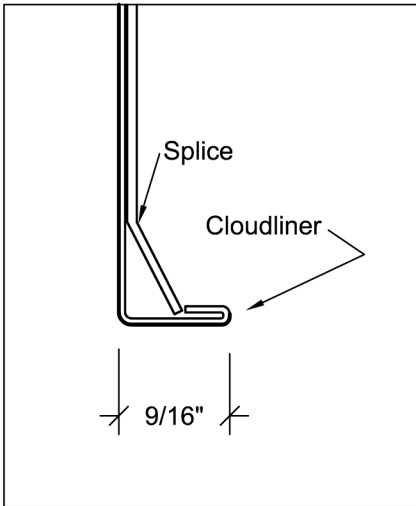
(Other sizes available)

Installation

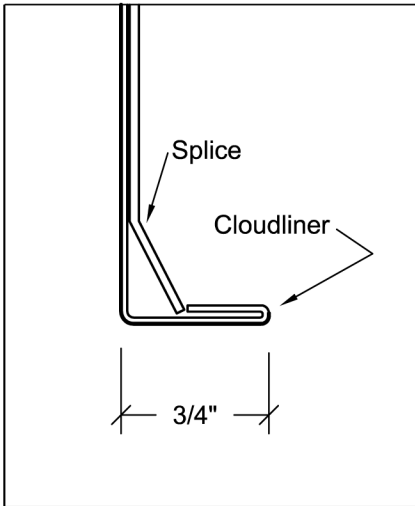


BOTTOM PROFILES

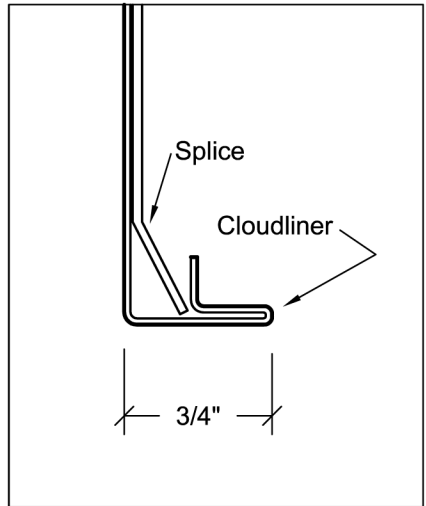
'A' Std. Duty



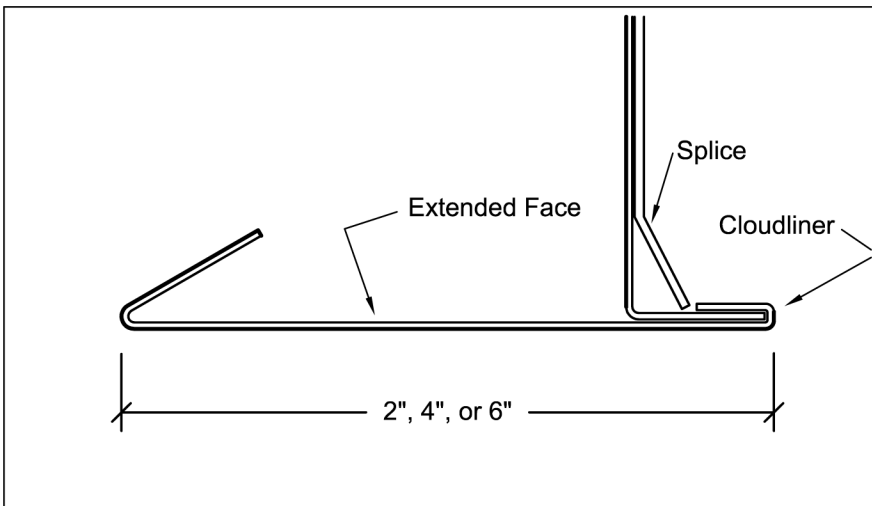
'B' Heavy Duty



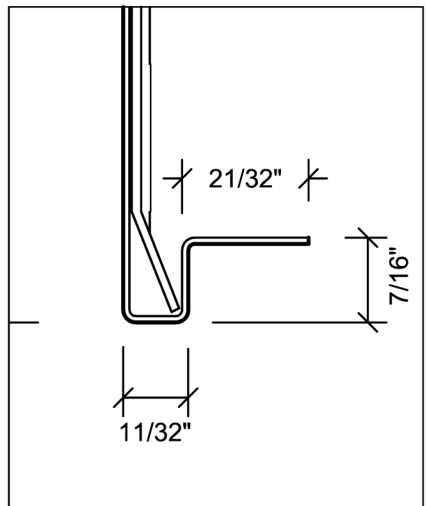
'E' Security



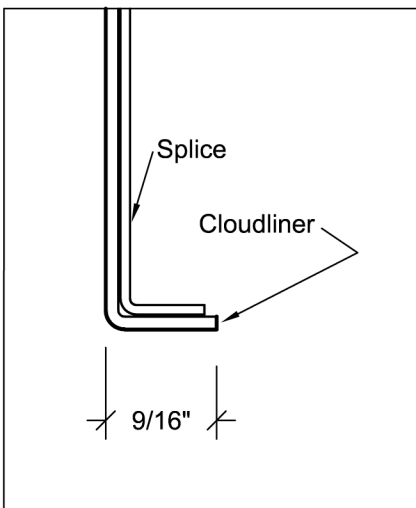
'XT' Extended



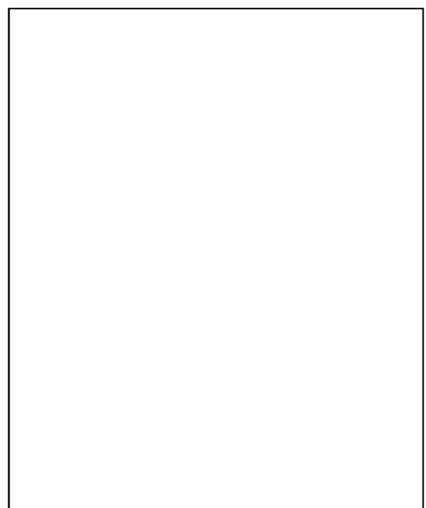
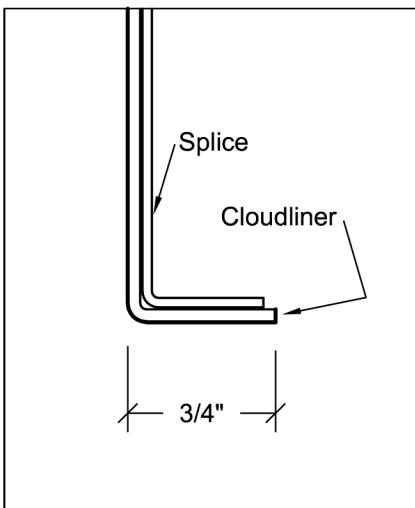
'VE' Framed



'C' Curved Std.

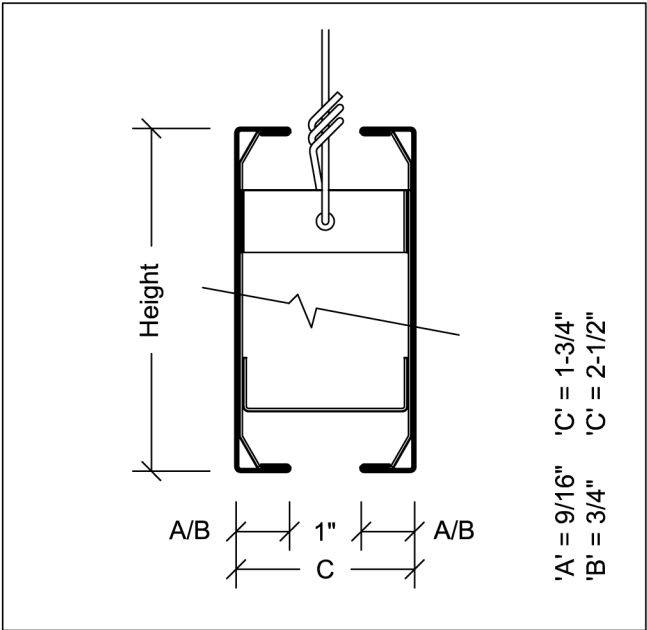


'D' Curved H. Duty

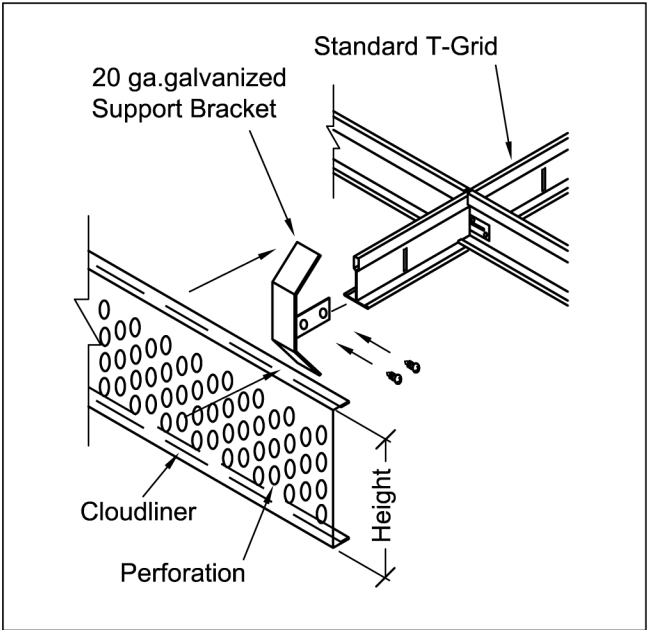


APPLICATIONS

Floating Ribbon



Perforated



Stacked

