

the Ripple Pan



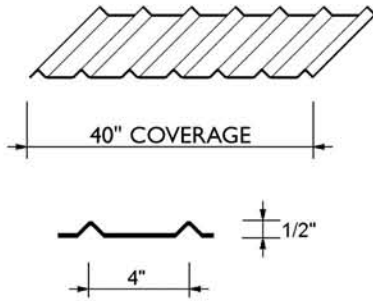
- flat, curved, vaulted or undulating
- economical
- interior / exterior
- panels can either be directly attached, mounted, or lay into grid
- acoustical properties with a NRC of up to 1.05

AMERICAN DECORATIVE CEILINGS

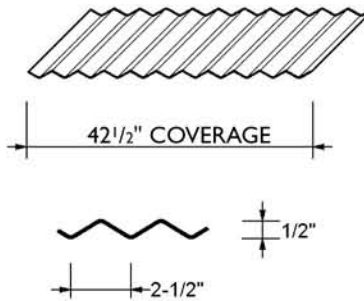
Packages: 4510 East 71st Street
Mail: P.O.Box 605605
Cleveland, OH 44105
(216) 341-2222
Fax (800) 336-8501

TYPICAL PROFILES

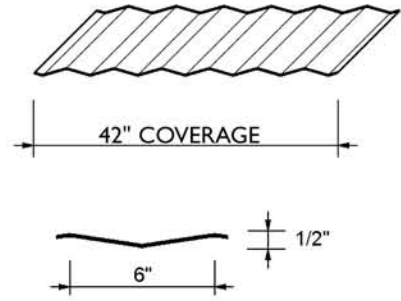
RP10D



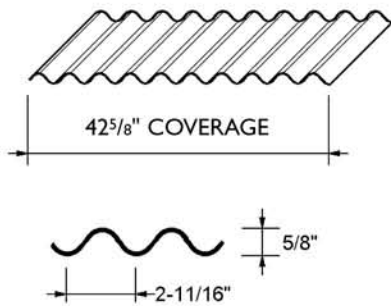
RP20D



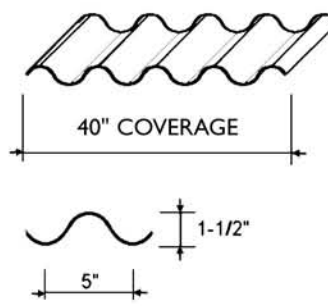
RP26D



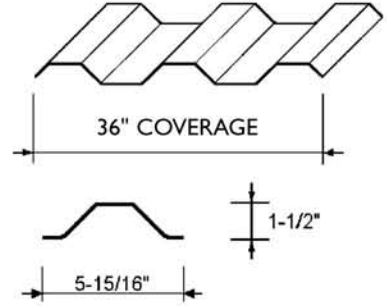
RP30R



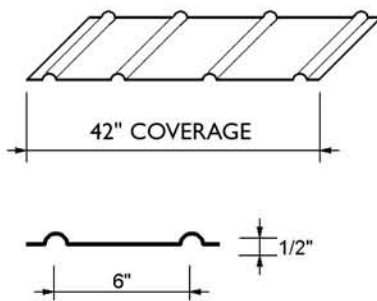
RP35D



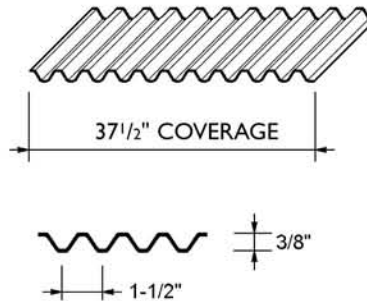
RP40D



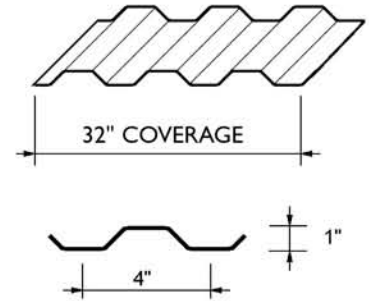
RP50D



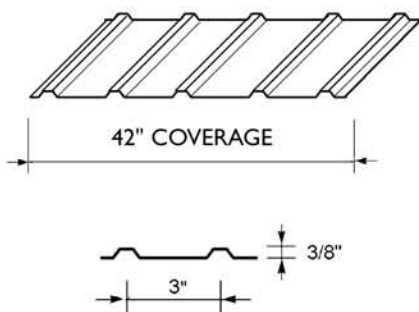
RP60D



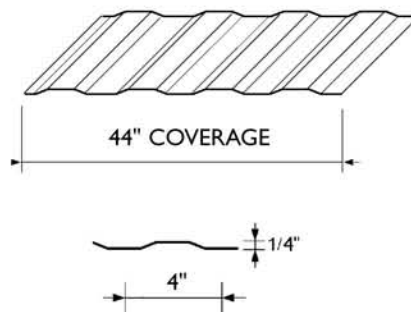
RP62R



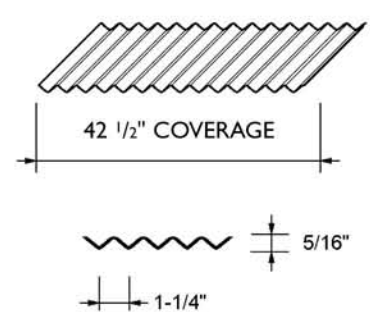
RP63D



RP64D

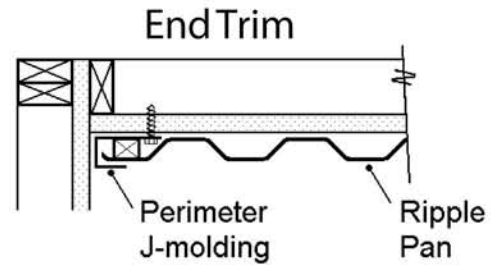
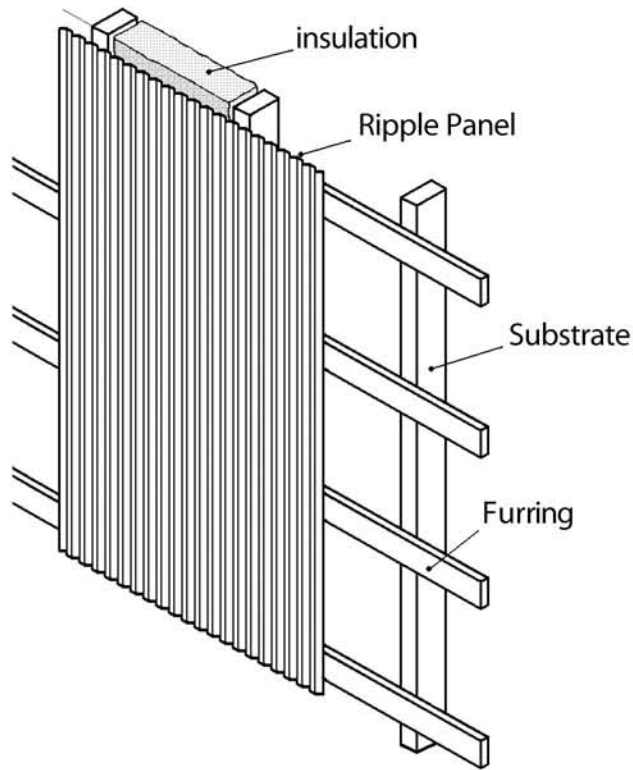


RP80D

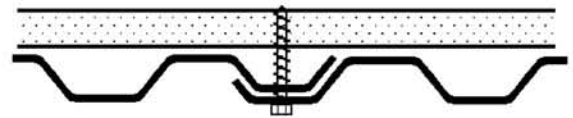


RIPPLE PAN

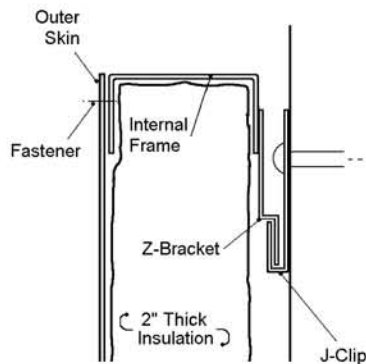
(DIRECT APPLICATION)



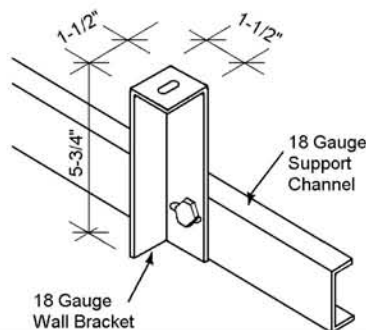
Lap Joint (Typical)



BRACKET MOUNT

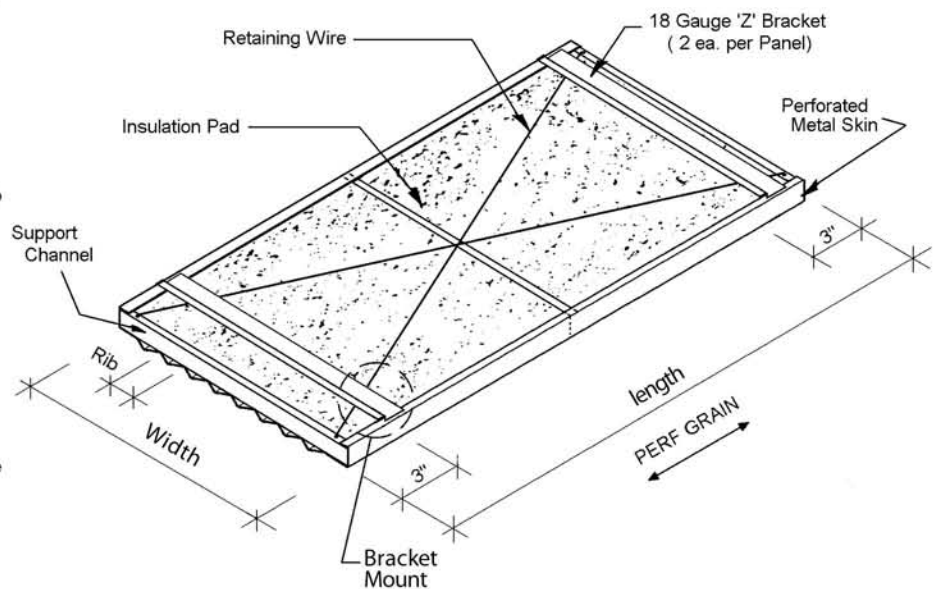


POST MOUNT



RIPPLE WALL

(SELF-CONTAINED)



Technical Data:



Ripple Pan is an economical and cost effective way to address issues of noise abatement while arriving at a distinctive look either indoors or out.

PANEL SIZES:

Standard Widths vary per profile. See profile sheet.
Standard Length for 30R, 32R, 61D and 64D is 12'0".
Standard Length (and maximum length) for all other profiles is 10'-0".

Optional lengths available, contact factory

FINISHES:

Standard are White (F41), Baron Ivory (F105), Victorian Gray (F307) and Mill finish (FØ).

Custom are electro-statically applied poly-urethane epoxy paint (F47).

Premium are Satin Anodized (F23R), Brushed (F98), Stainless (F08) and 32 available Kynar (FKY) colors.

OPTIONS:

PERFORATION: Standard perf patterns are 1/8" diameter holes on 21/64" staggered centers. Other Patterns available. Also, non-perforated material is available.

TEXTURE:

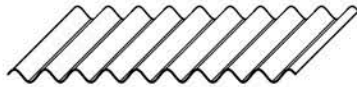
Standard is smooth. Optional is stucco embossed

FIRE CODE:

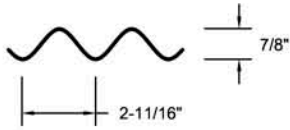
Metal panels are non combustible (ASTM E-84)

ADDITIONAL PROFILES

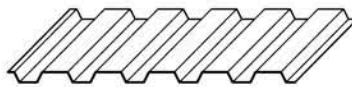
RP31R



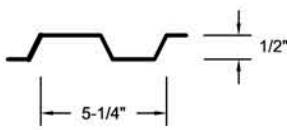
37-5/16" COVERAGE



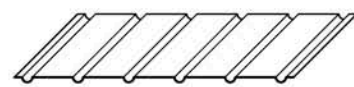
RP41D



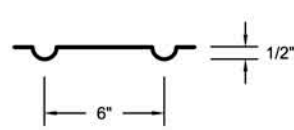
42" COVERAGE



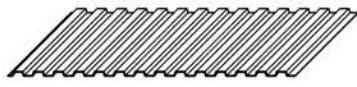
RP50X



42" COVERAGE



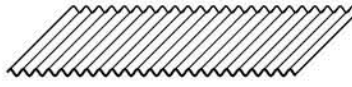
RP61D



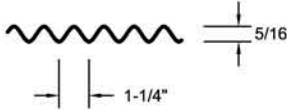
46" COVERAGE



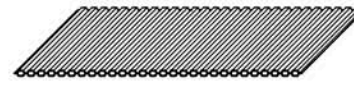
RP81D



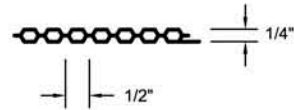
42-1/2" COVERAGE



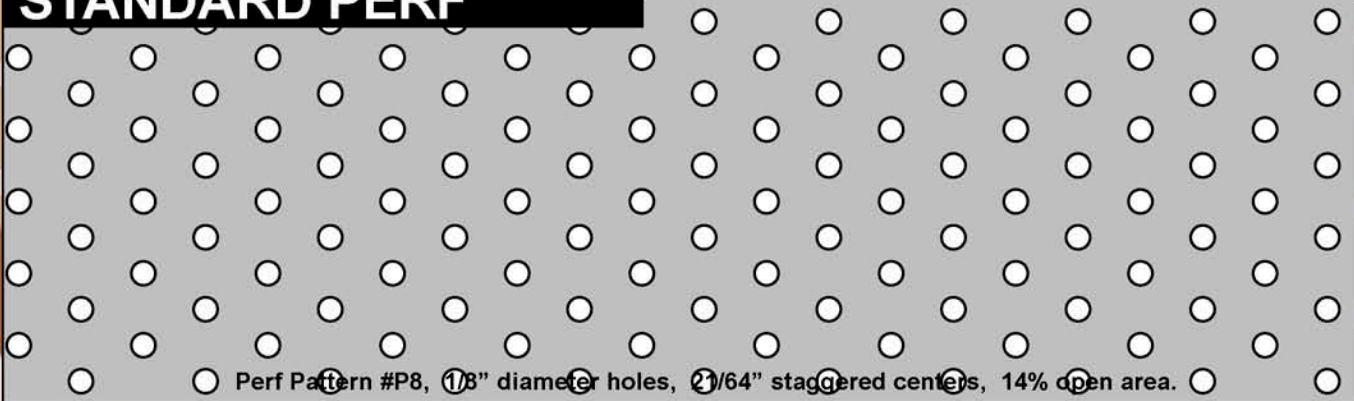
RPQT



48" COVERAGE

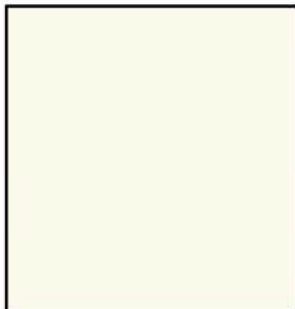


STANDARD PERF

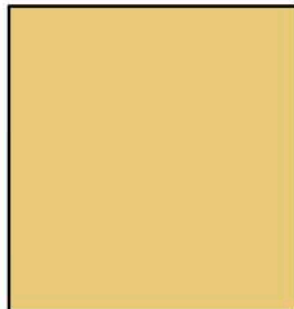


Perf Pattern #P8, 1/8" diameter holes, 2 1/64" staggered centers, 14% open area.

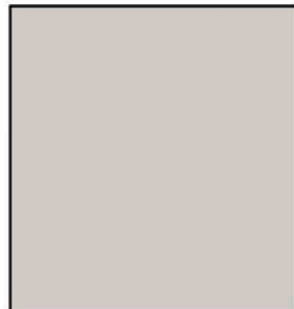
STANDARD COLORS



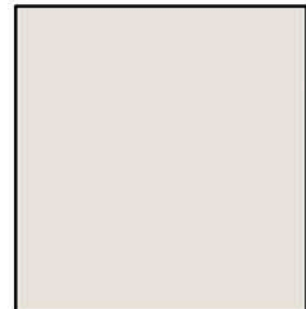
Mastic White (#F41M)



Antique Ivory (#F105)



Victorian Gray (#F102)



Mill Finish (#F0)