

OPEN BEAM

□ Introduction

OPEN BEAM is a dramatic ceiling system that creates intimacy of scale in large spaces. OPEN BEAM is practical, attractive, and 100% accessible. OPEN BEAM is readily interfaced with either existing or new ceiling utilities.

□ Technical

BEAM SECTION:
From 1"x1" to 6"x6"

BEAM MODULE:
See Beam Data next page

FINISHES:
Standard are polyester roll coated.
Custom are polyurethane epoxy.
Mirrored are polishes brite.

PLENUM:
See Beam Data next page.

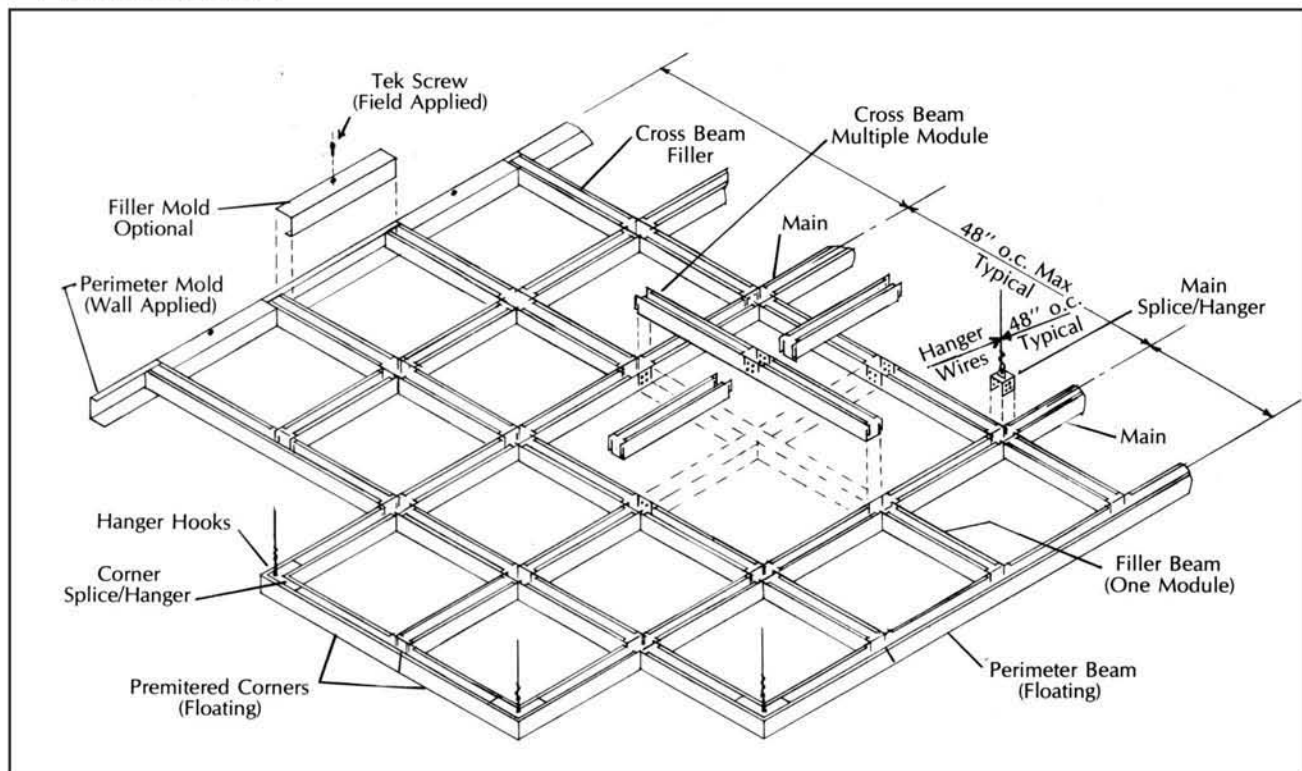
FIRE CODE:
Non-combustible

MATERIAL:
Galvanized steel or aluminum, for
thickness see Beam Data next page.

□ Photo



□ Installation



Mail: Post Office Box 605605 - Cleveland, Ohio 44105
Packages: 4510 East 71st St. - Cleveland, Ohio 44105
Telephone: (216) 341-2222 • Fax: (216) 341-8501
email: info@amer-dec.com

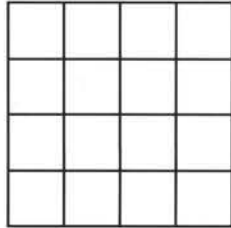


AMERICAN DECORATIVE CEILINGS
(All Rights Reserved)

OPEN BEAM

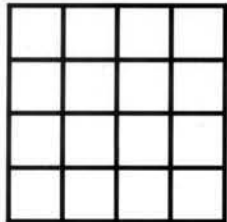
□ Beam Data

1" FACE WIDTH



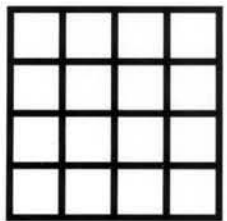
Model Number	Thickness	Module Spacing	Wt./Sq. Ft.	Minimum Plenum Depth
OB11	.024"	12" o.c.	.54	6"
OB11/24-F??	.024"	24" o.c.	.27	6"
OB11/48-F??	.024"	48" o.c.	.15	6"
OB12	.024"	12" o.c.	.84	8"
OB12/16-F??	.024"	16" o.c.	.63	8"
OB12/18-F??	.024"	18" o.c.	.56	8"
OB12/24-F??	.024"	24" o.c.	.42	8"
OB12/48-F??	.024"	48" o.c.	.21	8"
OB14	.024"	12" o.c.	1.53	12"
OB14/16-F??	.024"	16" o.c.	1.15	12"
OB14/18-F??	.024"	18" o.c.	1.02	12"
OB14/24-F??	.024"	24" o.c.	.77	12"
OB14/48-F??	.024"	48" o.c.	.39	12"
OB15	.029"	12" o.c.	2.72	14"
OB15/16-F??	.029"	16" o.c.	2.09	14"
OB15/18-F??	.029"	18" o.c.	1.81	14"
OB15/24-F??	.029"	24" o.c.	1.36	14"
OB15/48-F??	.029"	48" o.c.	.68	14"

2" FACE WIDTH



Model Number	Thickness	Module Spacing	Wt./Sq. Ft.	Minimum Plenum Depth
OB22	.024"	12" o.c.	1.10	8"
OB22/16-F??	.024"	16" o.c.	.88	8"
OB22/18-F??	.024"	18" o.c.	.75	8"
OB22/24-F??	.024"	24" o.c.	.55	8"
OB22/48-F??	.024"	48" o.c.	.28	8"
OB24	.024"	12" o.c.	1.53	12"
OB24/16-F??	.024"	16" o.c.	1.15	12"
OB24/18-F??	.024"	18" o.c.	1.02	12"
OB24/24-F??	.024"	24" o.c.	.77	12"
OB24/48-F??	.024"	48" o.c.	.39	12"

3" FACE WIDTH

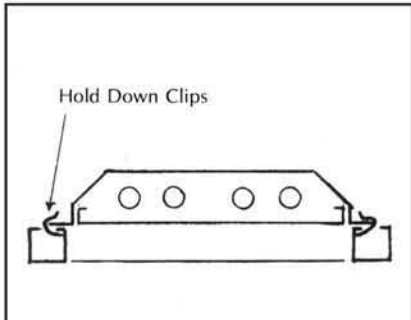


Model Number	Thickness	Module Spacing	Wt./Sq. Ft.	Minimum Plenum Depth
OB33	.024"	24" o.c.	.80	10"
OB33/36-F??	.024"	36" o.c.	.53	10"
OB33/48-F??	.024"	48" o.c.	.40	10"
OB36	.024"	24" o.c.	1.52	16"
OB36/36-F??	.024"	36" o.c.	1.01	16"
OB36/48-F??	.024"	48" o.c.	.76	16"

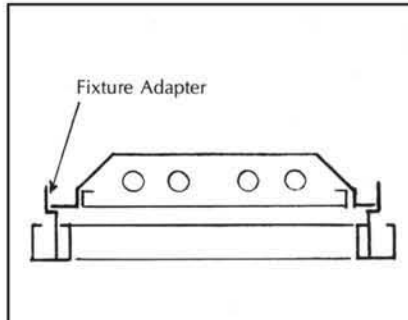


OPEN BEAM

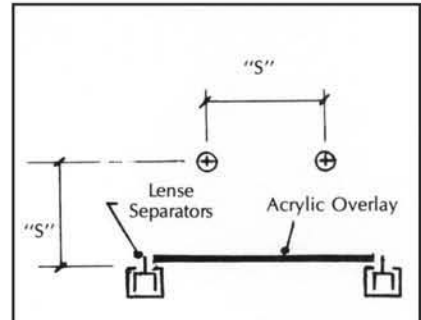
☐ Fluorescent Lighting



Lay-in light fixture
Note: Fixture independently suspended

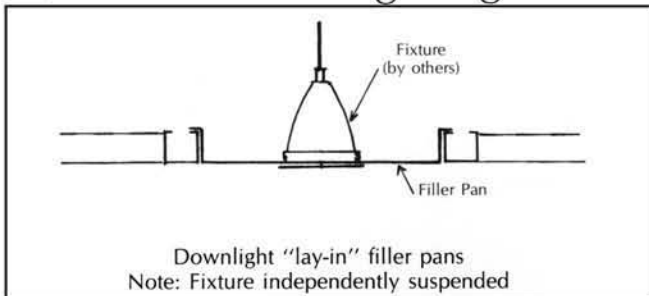


Fluorescent light fixture adapter
Note: Fixture independently suspended

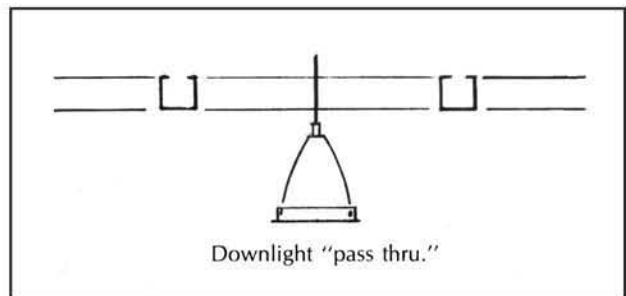


Luminous ceiling application

☐ Incandescent Lighting



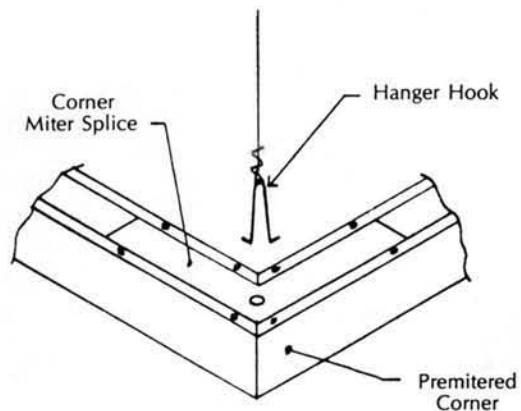
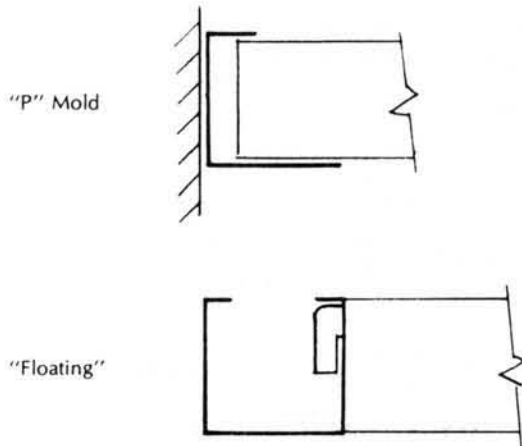
Downlight "lay-in" filler pans
Note: Fixture independently suspended



Downlight "pass thru."

☐ Details

PERIMETER



Optional "Floating" Premitered Corner



OPEN BEAM

□ Specification

SECTION 09545 SPECIFICATION FOR OPEN BEAM METAL CEILING SYSTEM

PART 2 - PRODUCTS

2.01 Manufacturer

- A. Provide Open Beam Metal Ceiling model number OB24/24-F23 (replace first 2 with Beam face width if other than 2") (replace first 4 with Beam depth if other than 4") (replace second 24 with appropriate Beam spacing if other than 24" o.c.) (replace F23 with appropriate color number if other than Anodized PXL, per section 2.02 H below) as manufactured by American Decorative Ceilings, Inc.; 4510 E. 71st St.; Cleveland, Ohio 44105; Telephone number (216) 341-2222.

2.02 Materials

- A. System: Provide Open Beam ceiling system consisting of a beam section (1"x 1"); (1"x 2"); (1"x 4"); (1"x 5"); (2"x 2"); (2"x 4"); (3"x 3"); (3"x 6"); or (4"x 4") _____" wide by _____" deep. Beam module shall be (12"); (16"); (18"); (24"); (30"); (36"); or (48") _____" on centers. Beam members shall be Channel-formed as specified and have a minimum of 1/4" returned edges on the top lips of section for added strength and stability.
- B. Main Beams 12' in length (depending upon module size specified) shall be notched with center spacings to accommodate specified module size. Typical Main Beam spacing shall be 48" on center depending upon module size.
- C. Main Beam splice/ hanger shall be installed at the insertion of all abutting mains. Additional Main Beam splice? Hanger shall be installed along the main member at remaining slot locations at a spacing not to exceed 48" o.c.
- D. Cross Beams shall be in appropriate lengths and notched to accommodate specified module size as indicated on installation drawings. To be installed perpendicular to Main Beams at all notched locations.
- E. Filler Beams shall be in module length and installed parallel to Main Beams and engaged into notches of Cross Beams.
- F. Floating Perimeter Treatment: shall consist of "Perimeter Main Beams" with exposed notches on one side only, and 1 module main beam/ cross beams to allow concealed integration of system installation. Provide pre-manufactured outside 90 degree corner kits. For installations requiring floating perimeters at 45 degrees to module interfacing, provide 2 piece closure molding per installation drawings.
- G. Wall Perimeter: shall consist of P-molding with matching face and depth dimensions of Open Beam section. P-molding to have a minimum top lip returned flange of _" for added strength and stability.
- H. Finish to be (white (F41)); (black (F42)); (anodized PXL (F23)); (satin anodized (F23R)); (brushed aluminum (F98)); (brite clear (F28)); (brite brass (F27)); (natural birch (F4025)); (american maple (F4026)); (auburn cherry (F4023)); or (custom color (F47)) (strike out all non-applicable finishes.)

2.03 Fabrication

- A. Beams: Fabricate and form beam members from appropriate thickness of aluminum to provide positive locking at all intersections without the use of additional fasteners or clips. Factory finished to match sample in Architect's possession.
- B. Support system: Formed and fabricated for mechanical inter-connection with adjoining section And pre-punched holes for direct insertion of hanging wires at any notched location along Main Beams.
- C. Accessory Items: Independently suspend all mechanical air distribution devices and all Electrical lighting fixtures.

2.04 Finish

- A. All surfaces to receive wood veneer are to be properly primed and free of any dirt, grime, or particles that will inhibit proper adhesion or produce surface imperfections.
- B. Adhesion: The primed surfaces shall be coated with formaldehyde free adhesive. specifically designed for use with wood veneers. Said adhesive to be engineered to provide an adhesion strength of 10 pounds per square inch, and formulated from cross linked emulsion.
- C. Veneer: Species of the Wood Veneer shall be selected by Architect from Manufacturer's standard selection of 3 face Wood Veneers. Said Veneer to be of an 1/32" thickness. Exposed surfaces of veneer shall be two-step sealed, finished with a 600 grit sandpaper, and then clear top coated.



AMERICAN DECORATIVE CEILINGS

(All Rights Reserved)

Mail: Post Office Box 605605 - Cleveland, Ohio 44105

Packages: 4510 East 71st St. - Cleveland, Ohio 44105

Telephone: (216) 341-2222 • Fax: (216) 341-8501

email: info@amer-dec.com