

# RIPPLE PAN

Photo



Technical

**PANEL SIZES:** Standard width and length varies by Profile. See Profile sheets.

**PROFILE:** ADC offers 20 different Profiles. See Profile sheets for specifications.

**FINISHES:** Standards are Mastic White, Baron Ivory, Victorian Gray, or Mill Finish.

**PERFORATION:** Standard is 1/8" holes on 21/64" staggered centers, 14% open area.

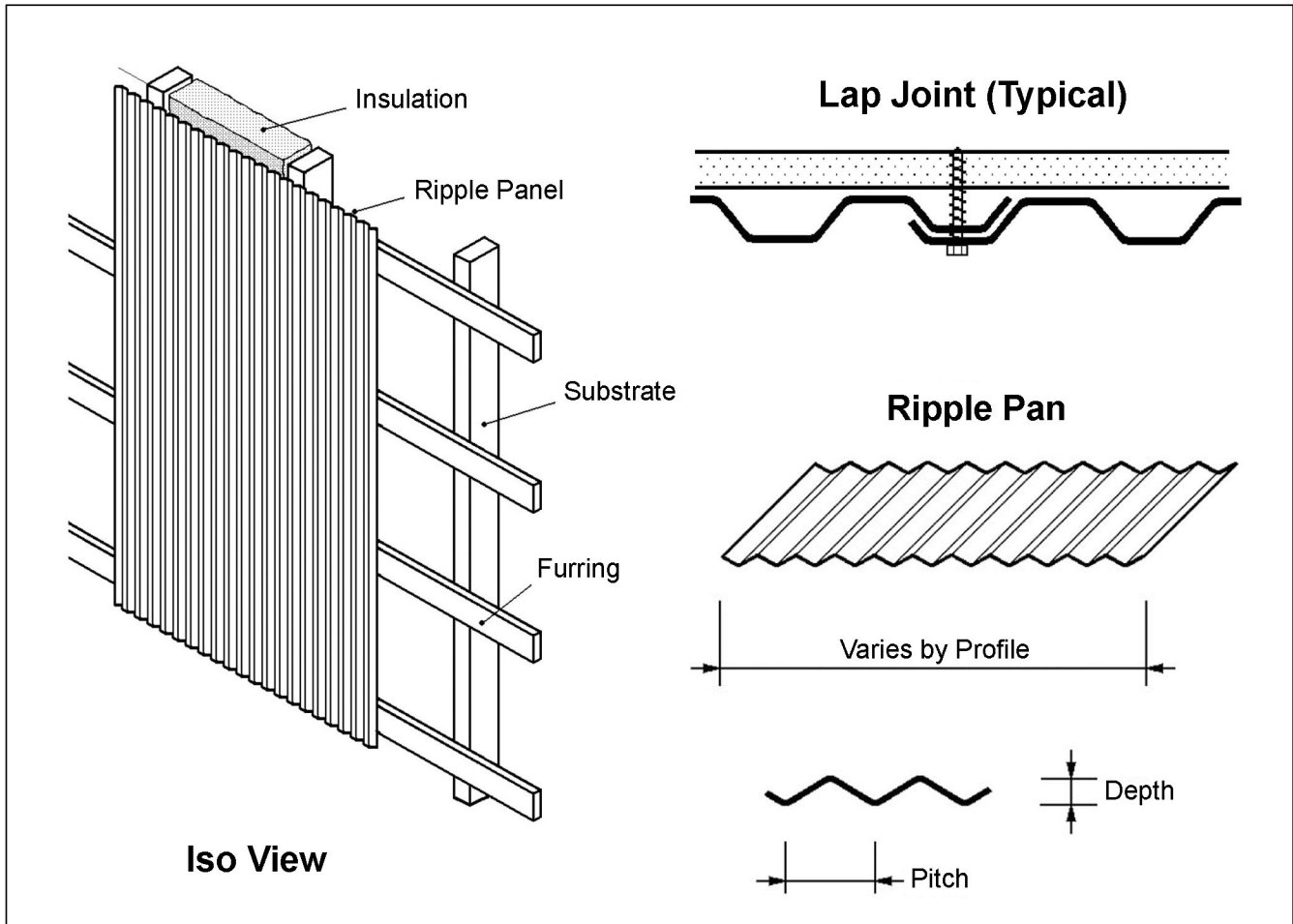
**INSULATION:** Standard is 2" thk., sealed in black poly bag. Other thicknesses available.

**FIRE CODE:** Class 1 Material (ASTM E84)

**MATERIAL:** Aluminum or galvanized steel. See Profile sheets for appropriate thickness. Leeds - 70% Recycled Content (Aluminum)

(Contact Factory for full Architectural Specification)

Installation



**AMERICAN DECORATIVE CEILINGS**  
(ALL RIGHTS RESERVED)

WOOD RIPPLE.DWG

Mail: Post Office Box 605605 - Cleveland, Ohio 44105  
Packages: 4510 East 71st St. - Cleveland, Ohio 44105  
Telephone: (216) 341-2222 - Fax (800) 336-8501  
email: [info@amer-dec.com](mailto:info@amer-dec.com)