

12-11-12
DATE

6" = 1'-0"
SCALE

N/A
JOB NO.

1 OF 1
SHEET

"The Vault"-- Curved Metal Panel Torsion Spring System

Standard "Cloudliner" Trim Detail

Approved

Approved as Noted

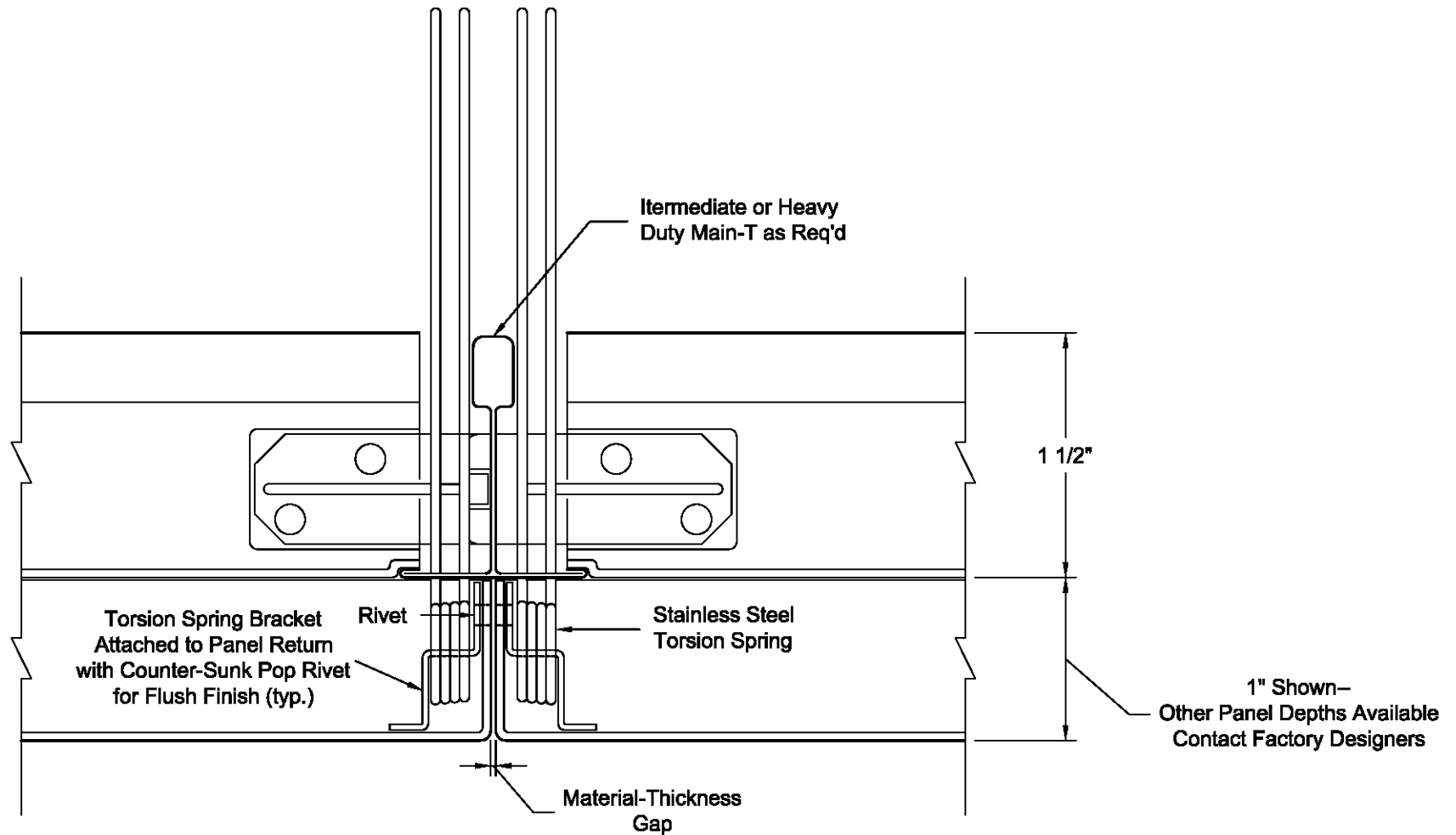
Revise/ Resubmit

Date: ____ x ____

AMERICAN DECORATIVE CEILINGS

Address: 4510 E. 71st Street
Cuyahoga Hgts, Ohio 44105
(216) 341-2222

WP DESIGNED	JRC DRAWN	WP APPROV	Vault Standard Cloudliner Edge Trim Detail
----------------	--------------	--------------	--



12-07-12
DATE

"The Vault"-- Curved Metal Panel Torsion Spring System

1'-0" = 1'-0"
SCALE

Standard Panel Joint Detail

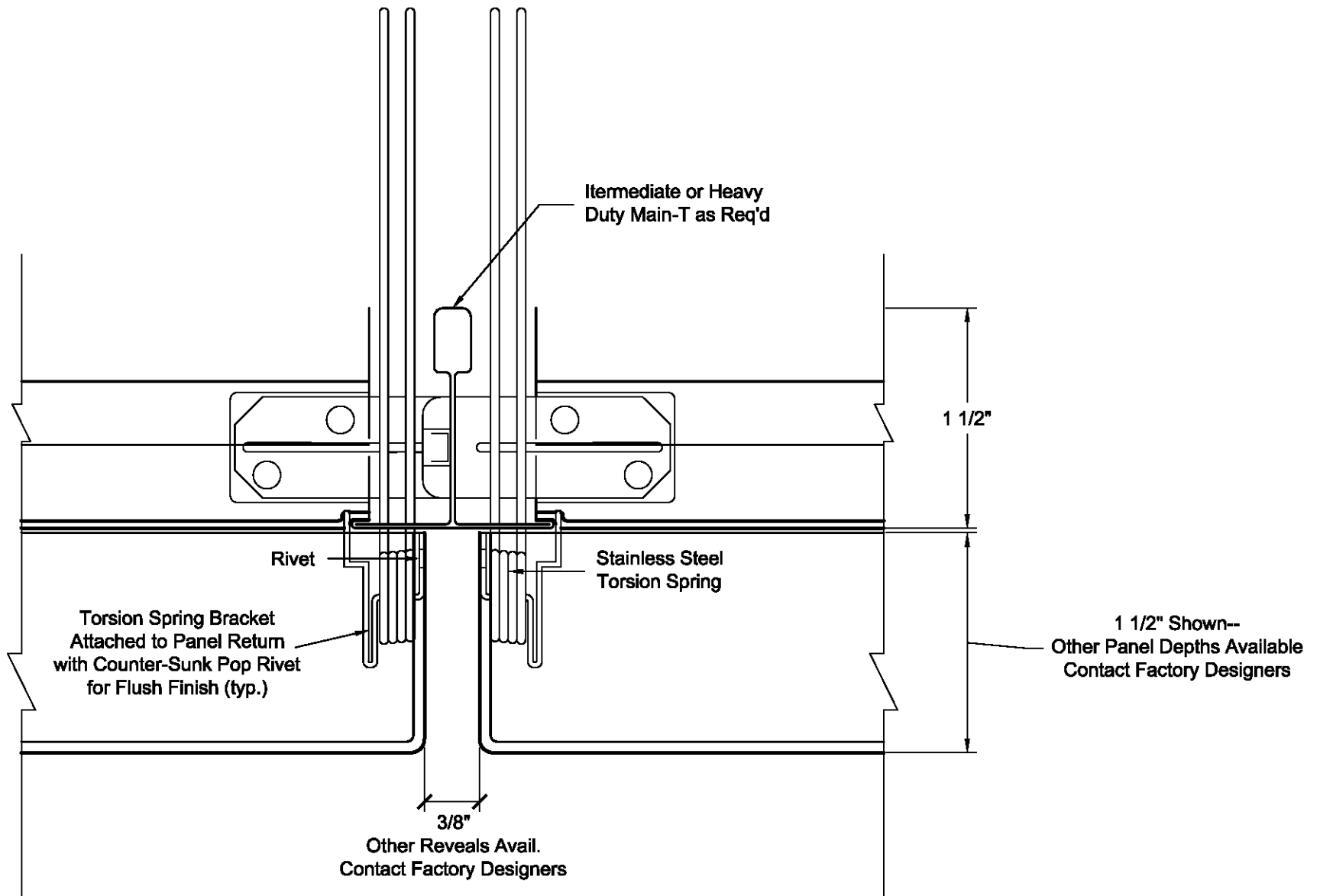
N/A
JOB NO.

1 OF 1
SHEET

Approved
 Approved as Noted
 Revise/ Resubmit
 Date: ____ x ____


AMERICAN DECORATIVE CEILINGS
 Address: 4510 E. 71st Street
 Cuyahoga Hgts, Ohio 44105
 (216) 341-2222

WP DESIGNED	JRC DRAWN	WP APPROVED	Vault Standard Panel Joint Detail.dwg
----------------	--------------	----------------	---------------------------------------



12-07-12
DATE

1'-0" = 1'-0"
SCALE

N/A
JOB NO.

1 OF 1
SHEET

"The Vault"-- Curved Metal Panel Torsion Spring System

Typical Panel Reveal Condition Detail

Approved

Approved as Noted

Revise/ Resubmit

Date: _____ x _____

 **AMERICAN DECORATIVE CEILINGS**

Address: 4510 E. 71st Street
Cuyahoga Hgts, Ohio 44105
(216) 341-2222

WP DESIGNED	JRC DRAWN	WP APPROVED	Vault Typical Panel Reveal Detail.dwg
----------------	--------------	----------------	---------------------------------------