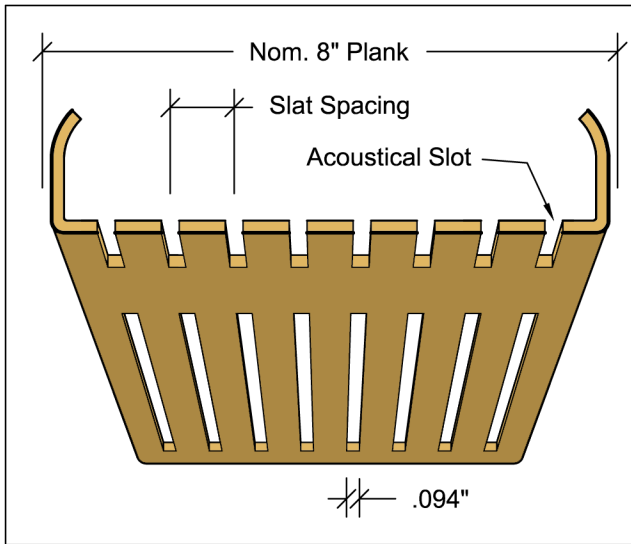


# WOOD PLANK

Detail



Technical

**PLANK LENGTH:** Standard is 96" long.

**SLAT WIDTHS:** Standards are 5/16" (8mm), 5/8" (16mm), or 1-1/4" (32mm) spacings

**FINISHES:** Standards is Premo Wood Laminate (#F40??). Optional is Re-AI Wood Veneer (#F39??)

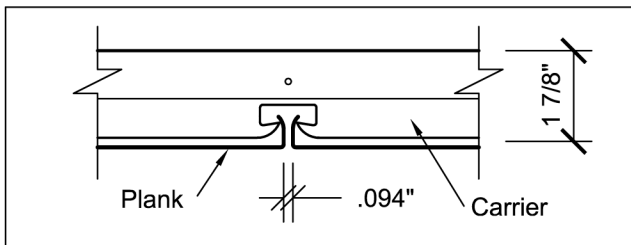
**PERFORATION:** Standard Acoustical Slot is .094" wide by 3/4" long, 1" straight centers.

**INSULATION:** Standard is un-insulated. Optional is black polybag or black fleece.

**FIRE CODE:** Class 1 Material (ASTM E84)

**MATERIAL:** Structural Aluminum Leads - 70% Recycled Content  
(Contact Factory for full Architectural Specification)

Section - At Joint



Wood Plank Data

MODEL NUMBER	WIDTH	THICK.	WT./ LF.
WP450/096-F40	4"	0.050	0.32#
WP650/096-F40	6"	0.050	0.48#
WP860/096-F40	8"	0.060	0.76#
WP1260/096-F40	12"	0.060	1.14#

Other sizes available

Installation

